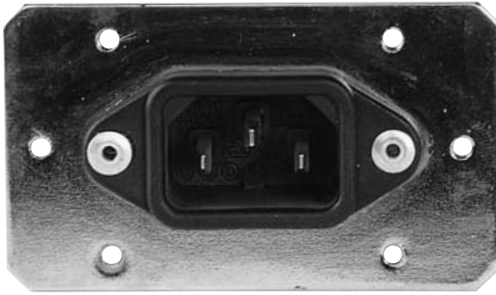


F5100 RFI Filters

Wide Band

SINGLE PHASE FILTERS



Ideal for Linear Power Supplies in Digital Equipment

Features:

- General Purpose Filter with Extended High-Frequency Insertion Loss Characteristics
- Effective Suppression of Incoming Common Mode and Differential Mode Noise
- Low-Profile Package with Integral IEC Connector
- Available in 3, 6 and 10Amp Ratings

Specifications:

Rated Voltage: 250VAC Maximum - 50/60 Hz

Rated Current:

115VAC	250VAC
3A	1.5A
6A	4A
10A	6A

Current Overload: 6X for 8 seconds

Hi-Pot Test (1 min):

Line to Ground	1400VDC
Line to Line	1450VDC

Insulation Resistance: $9 \times 10^9 \Omega$ at 100VDC

Ambient Temperature: 40°C Max. at rated current

Humidity Range: 0% to 95% R.H.

Termination:

C: IEC Receptacle
G: Wire Wrap/Solder

Maximum Leakage Current:

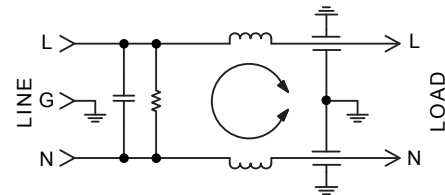
Each Line to Ground	F5100
115VAC, 60Hz:	0.25mA
250VAC, 60Hz:	0.50mA

Agency Approvals:

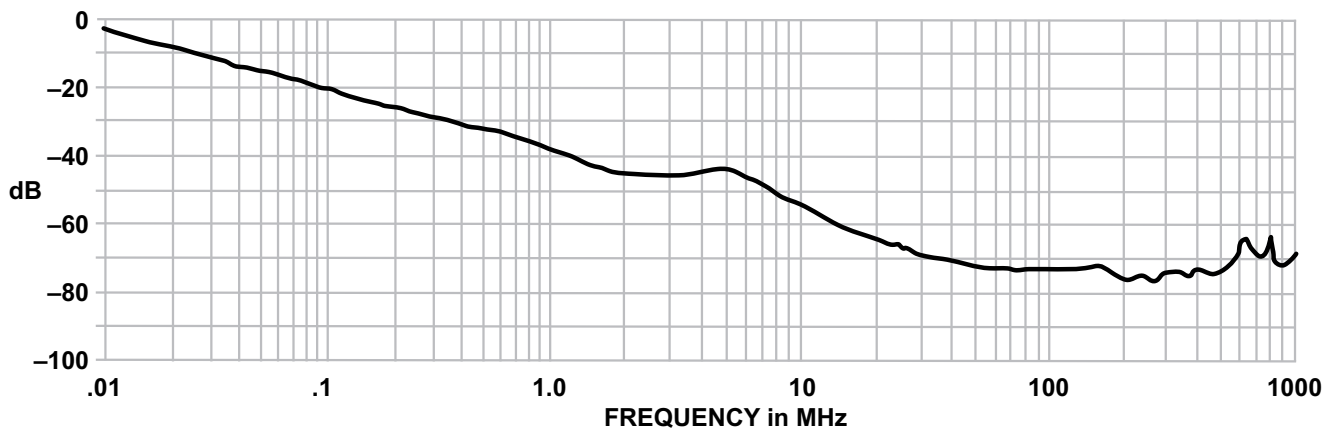


Nominal Current Rating	Part Number	Termination Line/Load
3A	F5100CG03	IEC/ Solder Tab
6A	F5100CG06	IEC/ Solder Tab
10A	F5100CG10	IEC/ Solder Tab

F5100 Simplified Schematic

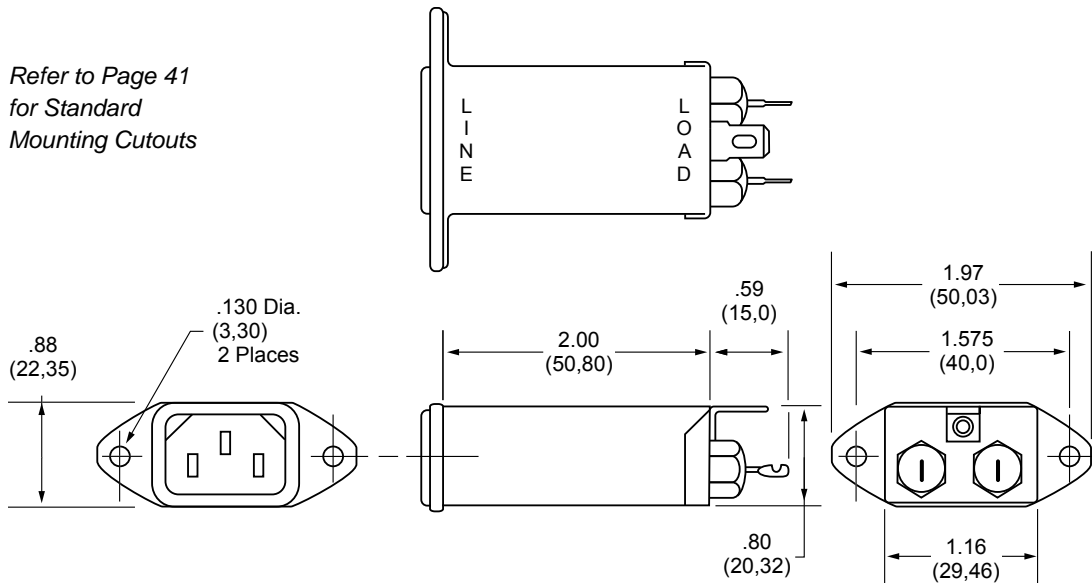


**F5100 SERIES
TYPICAL COMMON MODE
INSERTION LOSS — dB
(50 OHM CIRCUIT)**

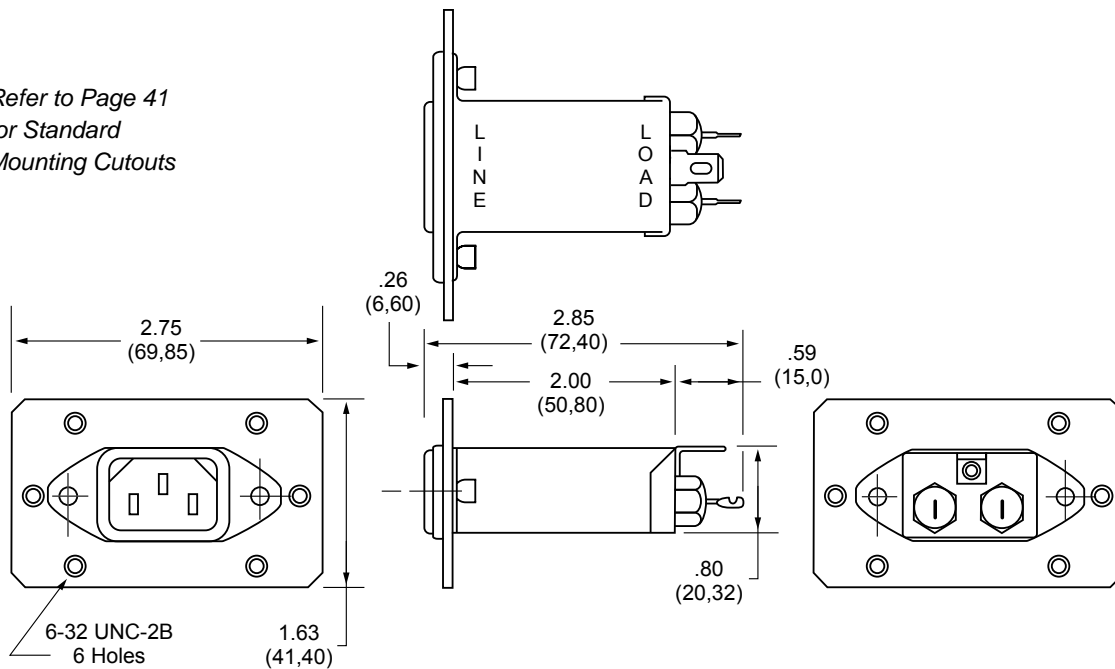


F5100CG (3, 6 and 10Amp) Dimensions

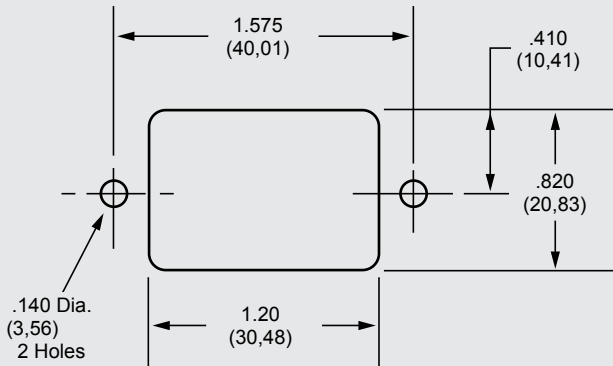
Refer to Page 41
for Standard
Mounting Cutouts

**F5101CG** (3, 6 and 10Amp) Dimensions with attached mounting plate

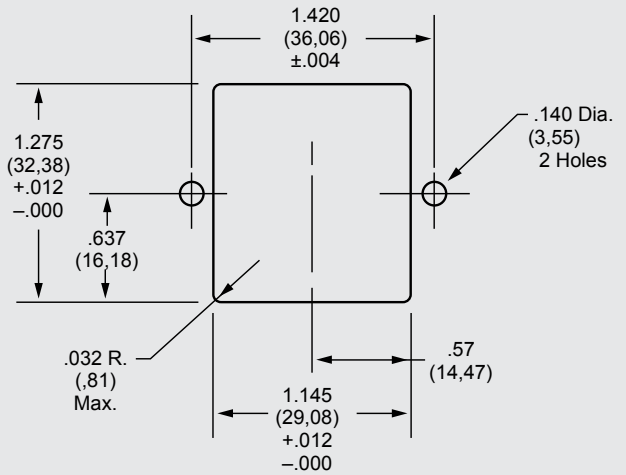
Refer to Page 41
for Standard
Mounting Cutouts



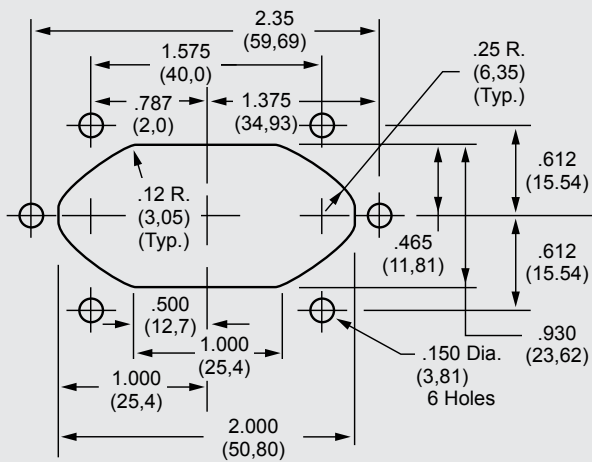
F5100 SERIES



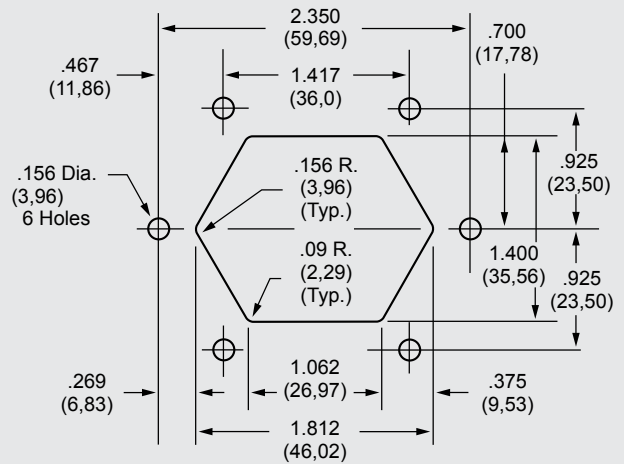
F5200 SERIES



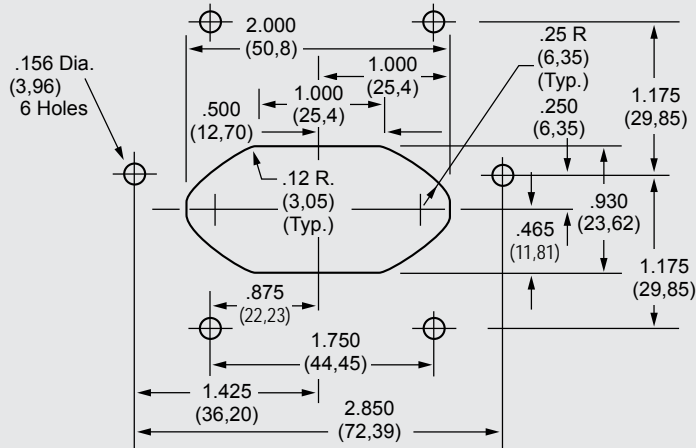
F5101 SERIES



F5201 SERIES



F5501/5601/5701 SERIES



NOTE: Tolerance for all dimensions unless otherwise specified: .XXX three place ± .004, .XX two place ± 0.10

Dimensions are in inches and millimeters unless otherwise specified. Values in parentheses are metric equivalents.



Curtis Industries
A Division of Powers Holdings, Inc.

1-800-657-0853