



TRI-MAG, Inc.
® *your* POWER Specialists

1601 N. CLANCY CT. • VISALIA, CA 93291
(559) 651-2222 • FAX (559) 651-0188
<http://www.tri-mag.com>
sales@tri-mag.com

735

Industrial Rackmount Disk Drive Chassis, 6 Bays 5¼, 2 Buried Bays 3½

FEATURES

- Made in USA
- Modular Design
- Meets EIA RS-310C
- RUGGED, Heavy Gage, Aluminum Construction
- Up to (6x) 5¼ Drives
- Up to Two Shockmounted 3½ Drives, Buried
- All Drive Bays Horizontal
- Excellent Air Flow and Cooling
- THREE Fans Standard
- Intake Air Filters
- Positive Air Pressure Inside Chassis
- 300W Switching Supply, UL, TUV, CE, Field Replaceable
- 115/230 Operation
- Reasonably Priced

OPTIONS/ACCESSORIES

- Black or Off White Paint
- Rackmount Slides
- Drive Bay Cover Plates
- 3½ to 5¼ Drive Adapters
- Internal Data Cables for Narrow or Wide SCSI
- Custom Modifications



DESCRIPTION

735 is a high quality, EIA RS-310 compatible, rackmount chassis for mounting up to 8 high performance drives. It provides a rugged, well-cooled enclosure for server, telecom, factory automation and other industrial applications.

735 has two front accessible horizontally oriented bays. Each bay will accept three 5¼ drives. Buried inside the chassis is mounting for two 3½ hard drives.

Drive mounting is simple and sturdy. All drive brackets remove from the chassis for easy system assembly.

Three fans provide cooling. Two 70CFM fans draw air into the chassis through filters. The washable filter elements are removable for cleaning. A third fan exhausts heat generated by the power supply. Air exits the chassis through vents in the sides and the front. The front vents provide airflow across top and bottom of each drive bay to cool the bay and eliminate hot spots. Positive air pressure is maintained in the chassis to reduce dust incursion

+12V@15A. The +5 and +12 are distributed to 8 drive power connectors through a Power Interface PC Board that also stabilizes the power supply, so no minimum load is required. LED's on the PC board provide visual verification that +5 and +12 are up. If requirements dictate modifications other than those available as library

CUSTOMIZING

See inside Back Cover for a Customizing Guide.

2810 Series Connector Panels for the 735 are shown on Page 22.

Accessories for the 735 are shown on Page 23.

If requirements dictate modifications other than those available as library items, we can usually provide low cost solutions. We invite you to contact us.



735

SPECIFICATIONS

Input Voltage

90-132 or 180-264VAC,
 47-63Hz, 1Φ, Switch Selected

DC Outputs

See Power Supply Table

DC Output Connectors

8ea, 4 pin AMP Mate-N-Lok

Temperature

10 to 40C Internal Operating
 -20 to 75C Storage

Humidity

20 to 85% RH, Operating,
 Non- Condensing

PS MTBF (MIL-HDBK-217E)

100,000 Hr.

Size

Rackmount:

4U (7")H x 19" Panel x 17.5" D

Weight

23 Pounds, 30 UPS Shipping

Finish

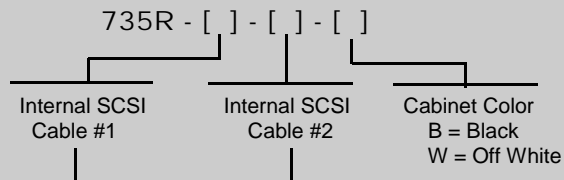
External Surfaces Painted

Rack panel textured, other surfaces
 smooth

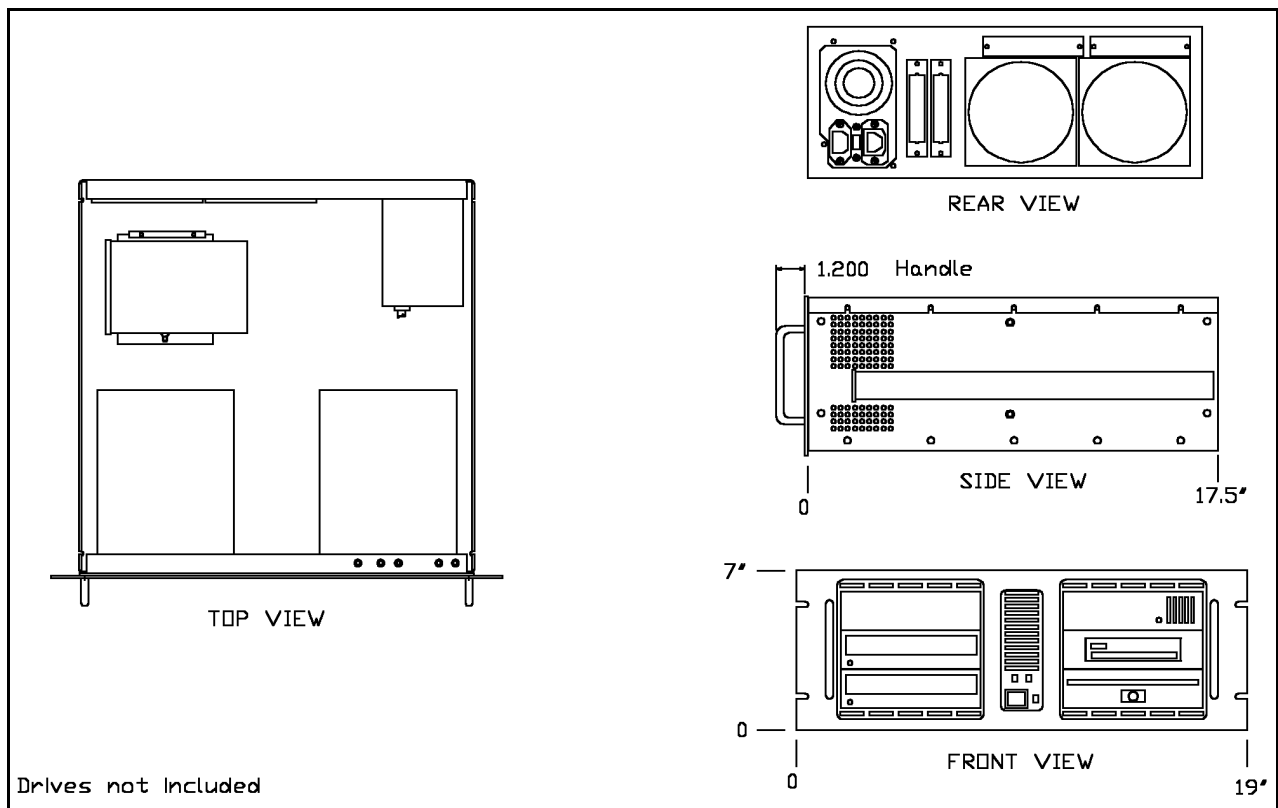
POWER SUPPLY TABLE

Input Voltage	DC Output Ratings		Ps Approvals
	+5V	+12V	
115/230 Vac	20A	15A	UL,CSA,TUV

ORDERING GUIDE & PRICES



- 0 = No Internal Cable
- 4 = 4 Drop, SCSI-1 (Centronics 50)
- 8 = 8 Drop, SCSI-1 (Centronics 50)
- 24 = 4 Drop, Narrow SCSI (HD50)
- 28 = 8 Drop, Narrow SCSI (HD50)
- 34 = 4 Drop, Ultra Wide SCSI (HD68)
- 38 = 8 Drop, Ultra Wide SCSI (HD68)

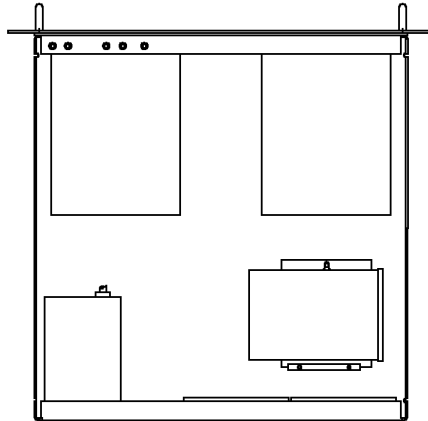




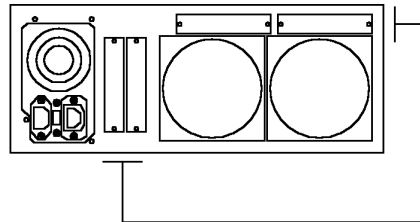
TRI-MAG, Inc.
your POWER Specialists

1601 N. CLANCY CT. • VISALIA, CA 93291
 (559) 651-2222 • FAX (559) 651-0188
<http://www.tri-mag.com>
sales@tri-mag.com

735 Series – Modular Panels



TOP VIEW



2800 Series Removeable
 Connector Punchout
 Panels

MiniDIN6 2810-152 & DSub25	50 pin 2810-122 (1"x1" grid)	Dsub50 2810-136
MiniDIN6 2810-151	34 Pin 2810-124 (1"x1" grid)	Dsub9 & 2810-142 Dsub15
SCSI (HD68) 2810-150 (Screw Lock)	20 pin 2810-131 (1"x1" grid)	Dsub9 & 2810-143 Dsub25
SCSI (HD68) 2810-147 (With Latch Blocks)	Blank 2810-127	Dsub9 2810-145
Telcon24 2810-133 (IEEE 488)	Dsub 9 2810-138	SCSI 2 (HD50) 2810-141
Telcon36 2810-126	Dsub15 2810-137	DIN5 (3) 2810-146 (Metal Only)
Telcon50 2810-123 (Screw lock)	Dsub25 2810-125	
Telcon50 2810-140 (Ball lock)	Dsub37 2810-135	DIN5 (3) 2810-144 (Includes 3 wired DIN5 Connectors)

2810 Series Connector Panels



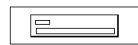
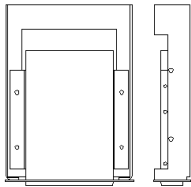
TRI-MAG, Inc.
your POWER Specialists

1601 N. CLANCY CT. • VISALIA, CA 93291
 (559) 651-2222 • FAX (559) 651-0188
<http://www.tri-mag.com>
 sales@tri-mag.com

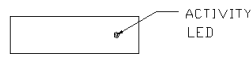
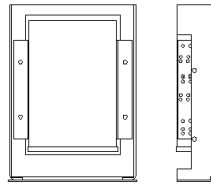
735 Series – Accessories

DRIVE ADAPTERS

ADAPTS 3 1/2 DRIVES TO 5 1/4 FOOTPRINT



505-335
 3 1/2 FLOPPY DRIVE ADAPTER
 FITS 25MM (1") HIGH DRIVES



SEE TABLE FOR P/N
 3 1/2 HARD DRIVE ADAPTER

PART NUMBER	ADAPTER TYPE	DRIVE ACTIVITY DRIVE CONNECTOR
505-340-1	NON-SHOCK	0.1" GRID
505-340-2	MOUNT	2MM GRID
505-345-1	SHOCK	0.1" GRID
505-345-2	MOUNT	2MM GRID

DRIVE COVER PLATES



FRONT VIEW - Half HI



FRONT VIEW - Full HI

5 1/4 HORIZ Mount	
PART #	SIZE
590-450	HALF HI
590-455	FULL HI

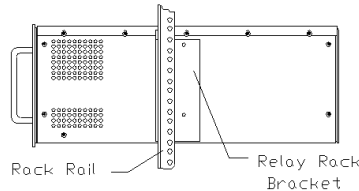
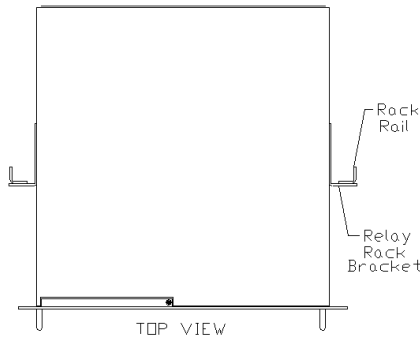
5 1/4 VERT Mount	
PART #	SIZE
590-345	HALF HI
590-340	FULL HI

3 1/2 VERT or HORIZ	
PART #	SIZE
520-230	1ea 25mm
520-235	2ea 25mm

RELAY RACK BRACKETS

Mount rack chassis to 'relay rack'
 (Single set of 19" vertical rails)

590-325/Pr.

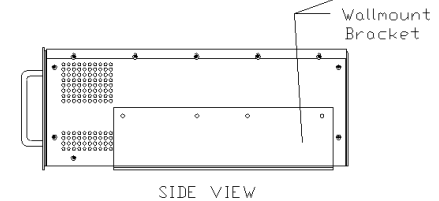
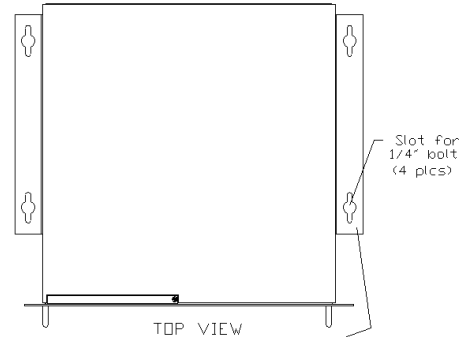


SIDE VIEW

WALL MOUNT BRACKETS

Attach rackmount chassis to
 wall or other flat surface

590-320/Pr.

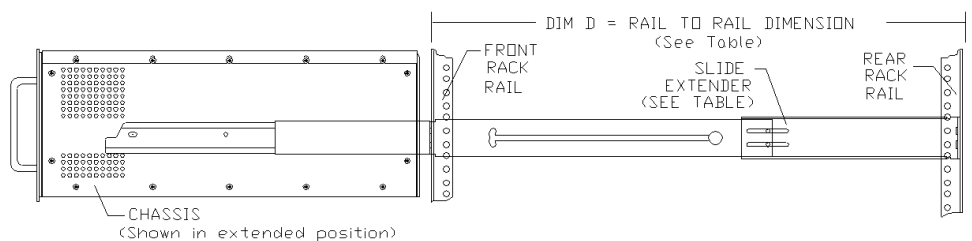


SIDE VIEW

SLIDES & EXTENDERS

EXTENDER TABLE	
DIM D	EXT P/N
17.2 TO 24.3	590-380
24.3 TO 32.3	590-382

Slide for 735,743 Series	
SLIDE160	1 PAIR



Drives not included