



TRI-MAG, Inc.
® your **POWER Specialists**

1601 N. CLANCY CT. • VISALIA, CA 93291
 (559) 651-2222 • FAX (559) 651-0188
<http://www.tri-mag.com>
<http://eemonline.com/tri-mag>
tri-mag@worldnet.att.net

WALL MOUNT

DT410U SERIES 15 Watts



UNIVERSAL INPUT PLUGS

DESCRIPTION

DT410U Series is a 10-15 watt Wall Mount switching power supply. It comes with an IEC EN60320/C7 (2 wire) AC inlet to accommodate worldwide applications, These power supplies are perfect for low power applications, such as Telecommunication equipment, Modems and other products that require an external power source.

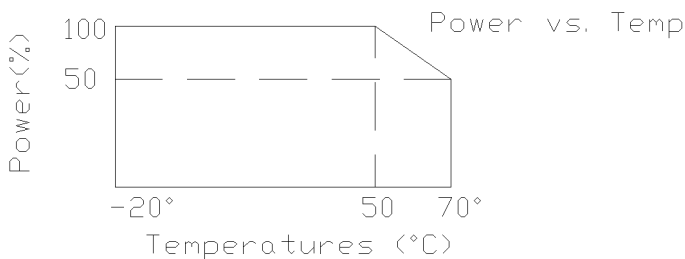
With TRI-MAG leadership in universal power supply technology, we have been able to incorporate our proven design into this space saving wall mount unit.

FEATURES

- EMI FCC Class B
- No Minimum Load Required
- Single Output
- Universal input 90VAC to 260VAC

APPLICATIONS

- Computer Peripherals
- Modems
- Telecommunications
- Test Instrumentation Product
- Data Acquisition
- Medical



GENERAL SPECIFICATIONS

Line Voltage.....	90VAC to 260VAC
Input Frequency.....	47Hz to 63Hz
Inrush Current (cold).....	Depend on model; 115VAC, 230VAC
Operating Temperature.....	0 to 50°C
Storage Temperature.....	- 20°C to 85°C
Cooling.....	Free Air Convection
Efficiency.....	70% Typical
Holdup Time.....	20ms at 115VAC
Overvoltage Type.....	Crowbar
Overload Protection.....	Foldback Within 150% rated load
Switching Frequency.....	>30KHz
Safety:	
Designed in full compliance with.....	UL 1950 CSA 22.2 #234 VDE EN60950

MECHANICAL SPECIFICATIONS

All Dimension In Inches (mm)

Tolerance:

±.039" (1mm) except length of cable

Case Size:

BASE UNIT 3.66" x 2.05" x 1.30" (93 x 52 x 33)

Connectors:

See Drawing

Length of cable:

5 ft.



TRI-MAG, Inc.
® *your* POWER Specialists

1601 N. CLANCY CT. • VISALIA, CA 93291
(559) 651-2222 • FAX (559) 651-0188
<http://www.tri-mag.com>
<http://eemonline.com/tri-mag>
tri-mag@worldnet.att.net

OUTPUT SPECIFICATIONS

Model	Watts	Voltage (Vdc)	Load (A)			Tolerance ±	Ripple & Noise	Regulation	
			Min.	Rate	Peak			Line	Load
DT410U-4	15	+5V	0	3.0	4.0	1%	50 mV	1%	3%
DT410U-5	15	+12V	0	1.25	1.66	1%	100 mV	1%	3%
DT410U-6	15	+24V	0	0.63	0.9	1%	150 mV	1%	3%
DT410U-20	15	+7.1V	0	2.11	2.8	1%	100 mV	1%	3%
DT410U-8	15	+15V	0	1.0	1.33	1%	100 mV	1%	3%
DT410U-15	15	+13.7V	0	1.10	1.45	1%	100 mV	1%	3%
DT410U-14	15	+48V	0	0.31	0.41	1%	200 mV	1%	3%

MECHANICAL SPECIFICATION

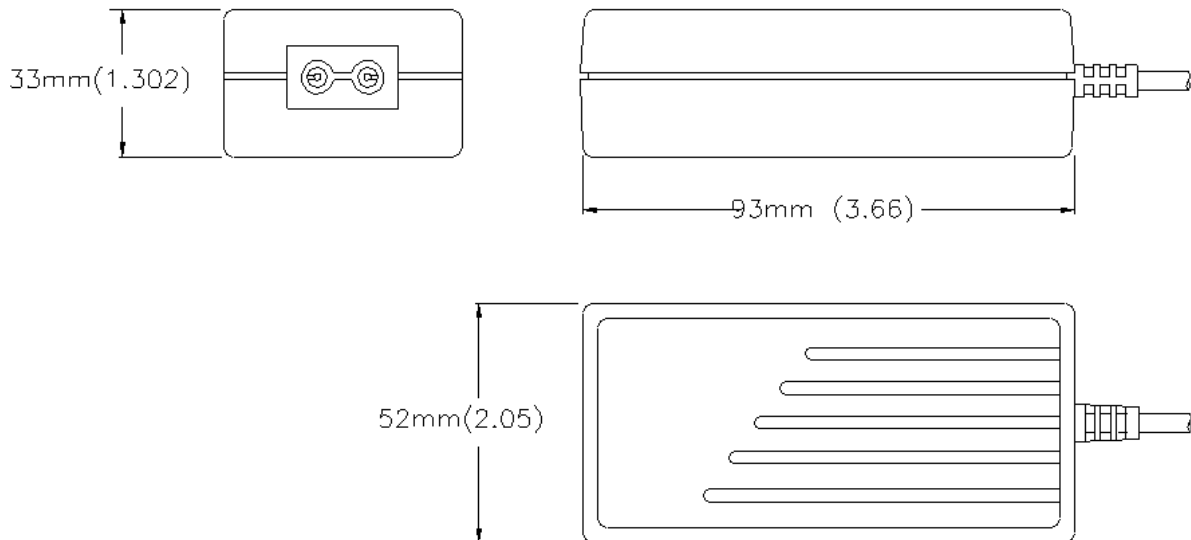


FIG (1) BASIC UNIT



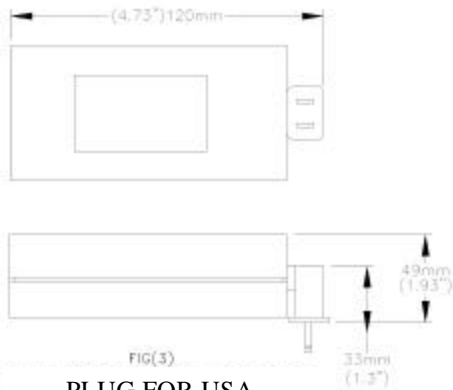
TRI-MAG, Inc.
® your POWER Specialists

1601 N. CLANCY CT. • VISALIA, CA 93291
(559) 651-2222 • FAX (559) 651-0188
<http://www.tri-mag.com>
<http://eemonline.com/tri-mag>
tri-mag@worldnet.att.net

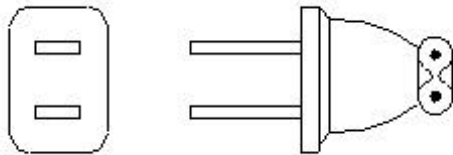
DT410U SERIES

CONTINUED

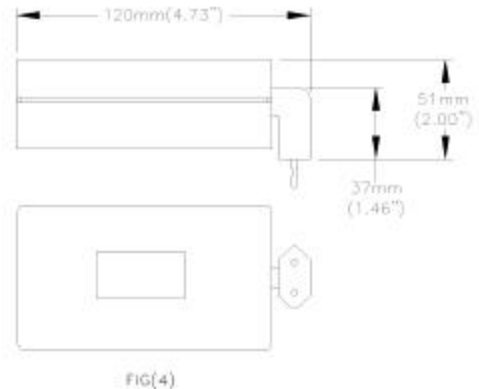
MECHANICAL SPECIFICATION



FIG(3)
PLUG FOR USA,
CANADA, MEXICO, ETC.



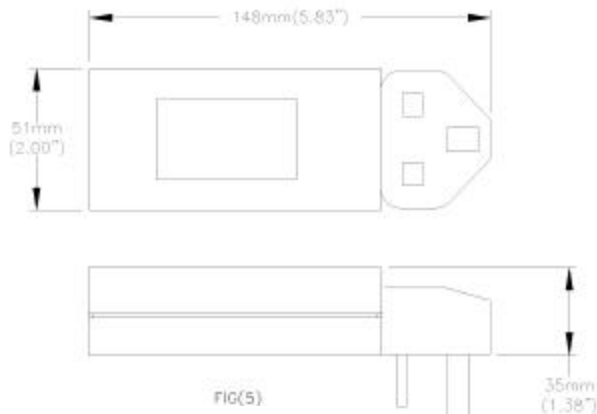
P/N VC 20



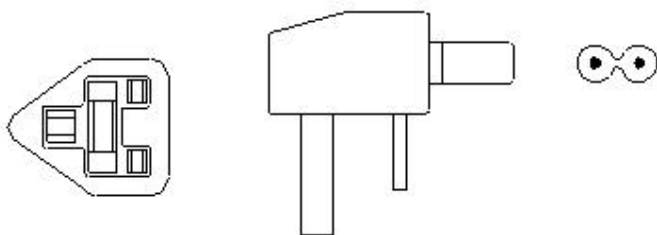
FIG(4)
PLUG FOR EUROPE



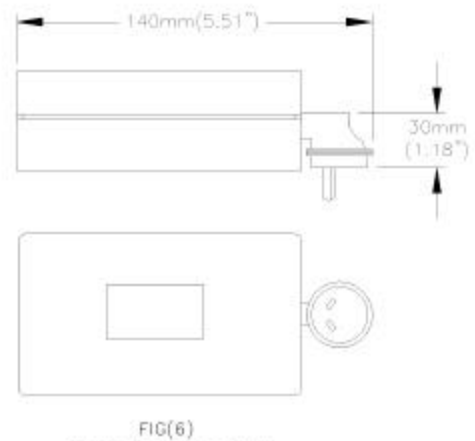
P/N VC 10



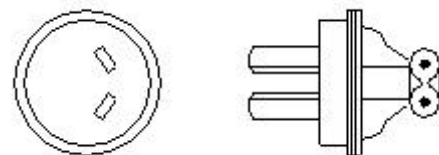
FIG(5)
PLUG FOR UK



P/N VC 35



FIG(6)
PLUG FOR AUSTRALIA



P/N VC 30