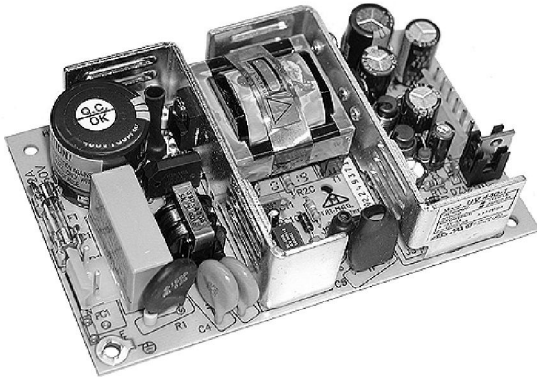


UV440M SERIES

40 Watt

UNIVERSAL INPUT

For Medical Application



DESCRIPTION

Tri-Mag, Inc. UV440M Series is a 40 watt switchers feature small size, low cost, high efficiency with universal input voltage (80-265VAC) without jumpers.

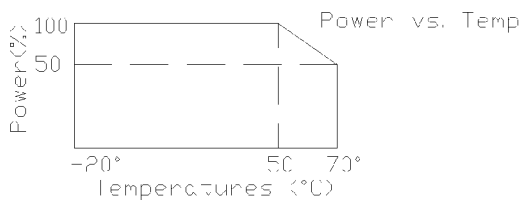
Both single output and multiple output models are available. The UV440M Series is designed in full compliance to UL544, CSA22.2#601-1, and VDEEN60601-1, IEC601. This series is designed for medical applications.

FEATURES

- 85 TO 265VAC Universal Input
- Innovated Mosfet Design
- Low Cost
- High Efficiency
- Built-in Line Filter to Meet FCC Class B
- 100% Hi-Pot Test
- 100% Cycling On-Off Burn-In Test
- Low Leakage Current

APPLICATIONS

- Small Digitally Based System Used in Medical and Dental Environment
- Any System Requiring Low Leakage Current Power Supply

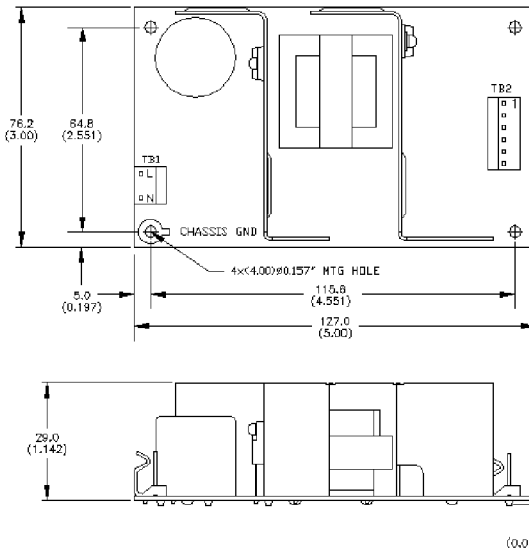


GENERAL SPECIFICATIONS

Input Voltage.....	85VAC to 265VAC or 120VDC to 350VDC
Input Frequency.....	47Hz to 65Hz
Inrush Current (cold).....	15A @ 115VAC 30A @ 230VAC
Operating Temperature.....	0 to 50°C Linear Derating to 50% load @ 70°C
Storage Temperature.....	- 20°C to 85°C
Cooling.....	Free Air Convection
Efficiency.....	70% Typical
Holdup Time.....	20ms at 115VAC
Overvoltage Type.....	Crowbar Trip Point, 6.2V ± 0.4V or Rated Output +2V
Overload Protection.....	Foldback at 150% load
Output #1 Voltage Adjustable.....	±10%
Safety:	Designed in full compliance with.....UL 2601-1 CSA 22.2 #601-1 EN60601-1

MECHANICAL SPECIFICATIONS

7.0 MECHANICAL SPECIFICATION



MECHANICAL SPECIFICATIONS:
 Dimension Shown in Inch (mm)
 Tolerance specified as ±0.016"

PC Board Size:
 5.0" x 3.0" x 1.142"
 (127mm x 76.2mm x 29mm)

MOUNTING HOLE:
 4.551" x 2.551" (115.6mm x 64.8mm)

TB1:
 AC Input, Using Molex 5277-2 or Equivalent

TB2:
 DC Output, Using Molex 5273-6 or Equivalent



TRI-MAG, Inc.
 your POWER Specialists

1601 N. CLANCY CT. • VISALIA, CA 93291
 (559) 651-2222 • FAX (559) 651-0188
<http://www.tri-mag.com>
sales@tri-mag.com

UV440M SERIES 40 WATT— PIN ASSIGNMENT

Pin	1	2	3	4	5	6
UV440M-1	+12V	+5V	+5V	COM	COM	-12V
UV440M-2	+15V	+5V	+5V	COM	COM	-15V
UV440M-4	+5V	+5V	+5V	COM	COM	COM
UV440M-5	+12V	+12V	+12V	COM	COM	COM
UV440M-6	+15V	+15V	+15V	COM	COM	COM
UV440M-7	+24V	+24V	+24V	COM	COM	COM

UV440M SERIES 40 WATT— OUTPUT SPECIFICATIONS

Model	Voltage (Vdc)	Load (A)			Tolerance ±	Ripple & Noise	Regulation	
		Min.	Rate	Peak			Line	Load
UV440M-1	+5V	0	3.0	6.0	1%	50 mV	1%	3%
	+12V	0	2.0	4.0	3%	100 mV	2%	3%
	-12V	0	0.3	0.5	3%	100 mV	3%	5%
UV440M-2	+5V	0	3.0	5.0	1%	50 mV	1%	3%
	+15V	0	1.6	3.0	3%	100 mV	2%	3%
	-15V	0	0.3	0.5	3%	100 mV	3%	3%
UV440M-4	+5V	0	8.0	10.0	1%	50 mV	1%	1%
UV440M-5	+12V	0	3.3	5.0	1%	100 mV	1%	1%
UV440M-6	+15V	0	2.6	4.0	1%	100 mV	1%	1%
UV440M-7	+24V	0	1.7	2.5	1%	240 mV	1%	1%

Note: Contact factory for Safety Agency Approved status.

All specifications and prices subject to change without notice