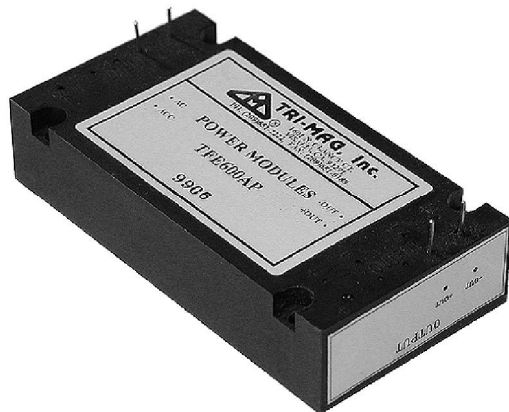


# HIGH DENSITY TFE600 SERIES

## 600 Watts FRONT-END RECTIFIER & POWER-FACTOR CORRECTION



### DESCRIPTION

TFE600 Series is a front-end rectifier and power factor correction, which is designed to provide high output DC voltage to be used for Tri-Mag's High Density DC-DC Converters THW Series and THX Series.

It also can be used for voltage, such as "Brick" type DC-DC Converters.

### FEATURES

- PC Board Mountable
- Will Power Up to Four Tri-Mag, Inc. THW and THX Series Power Modules
- Internal EMI Filter and Active Inrush Limiter
- Strap or Auto Range for 115/230VAC Dual Input
- Thermalloy Conductive Encapsulant
- 100% Burn-In and Tested.
- MTBF 280,000 Hours Min.

### APPLICATIONS

- Distributed Power Systems
- For Use with Tri-Mag, Inc. THW and THX Series High Density DC-DC Converters



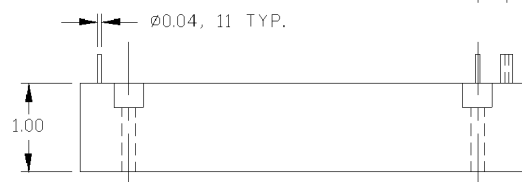
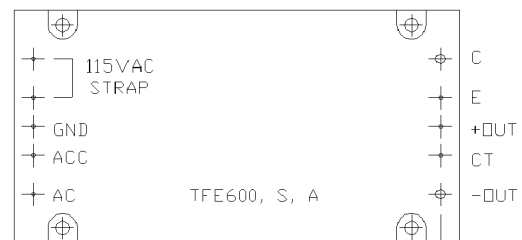
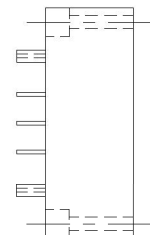
### GENERAL SPECIFICATIONS

Input Voltage Range:(115VAC Input).85-135VAC, 11Amp Max.  
 (115/230VAC Dual Input)..... 85-135/175-265VAC, 11Amp Max.  
 Inrush Limiter..... About 25Amp Peak  
 Internal EMI Filter..... Meet FCC Level A  
 Optional Power Fail Output Signal..... Below 85% of  
 Nominal Output Voltage  
 Efficiency..... 95% Min.  
 Isolation Voltage..... None.  
 Operating Frequency..... 47-63Hz  
 Base-Plate Operating Temperature.85°C & 100°C Max.  
 Storage Temperature..... -40°C to 100°C  
 Weight..... 12.03 Oz. (350 Gram)  
 Case Material..... Non-Constructive Plastic with  
 Metal Base

### MECHANICAL DIMENSION

#### MECHANICAL DIMENSION:

1. DIMENSIONS ARE SAME AS SINGLE OUTPUT PACKAGE EXCEPT WHERE SHOWN.
2. ALL DIMENSIONS IN INCHES
3. TOLERANCE: .XX=±0.010  
.XXX=±0.005
4. SIZE: 4.6"L x 2.4"W x 1.0H"
5. MTG HOLE: 3.6" x 2.1" (#6 CL.)





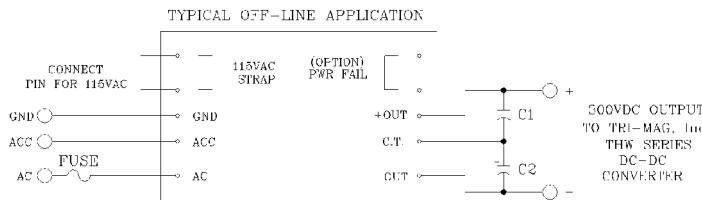
**TRI-MAG, Inc.**  
 your POWER Specialists

1601 N. CLANCY CT. • VISALIA, CA 93291  
 (559) 651-2222 • FAX (559) 651-0188  
<http://www.tri-mag.com>  
 sales@tri-mag.com

**TFE600 HIGH DENSITY SERIES 40WATT- OUTPUT SPECIFICATION**

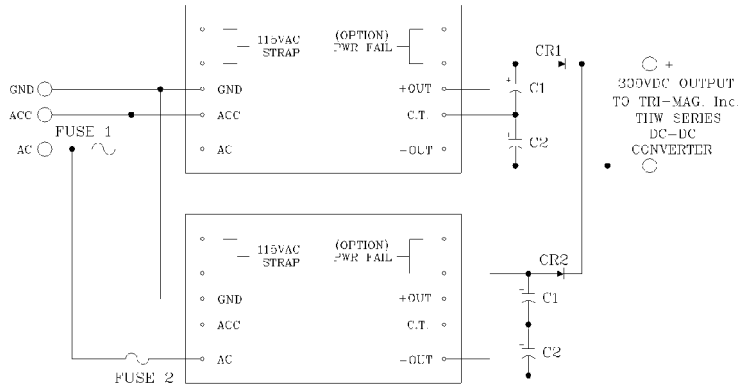
Model	Input Voltage	Output Voltage	Output Current Max. Load A	Feature
TFE600	115VAC	155VDC	4	
TFE600S	115/230VAC	320VDC	2	External Strap
TFE600A	115/230VAC	320VDC	2	Auto Range
TFE600AP	90-260VAC	385VDC	2	Power Factor Correction 400 Watt 115VAC 600 Watt 230VAC
TFE600AP-1	90-260VAC	155VDC	1	Power Factor Correction

APPLICATION NOTE:



- NOTE:  
 1. VIEW FROM HEATSINK PLATE SIDE OF MODULE  
 2. C1, C2 Max. CAPACITANCE IS 1500uF BECAUSE OF INRUSH CURRENT LIMITATIONS (C1=C2)

PARALLELING FRONT-END MODULES FOR MORE POWER (600 WATT)



- NOTE:  
 1. MODULE SHOULD BE DIODE ORed AFTER FILTER CAPACITORS  
 2. CR1, CR2 ARE 3 AMP, 600 VOLT DIODES (MOTOROLA MR756 OR EQUIVALENT)

