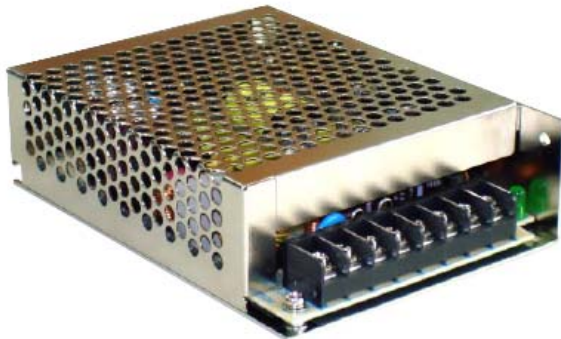


SNP-C08 SERIES

80 Watts

Industrial Applications

120 Watts Peak Current



GENERAL SPECIFICATIONS

Input Voltage.....	85VAC to 264VAC
Input Frequency.....	47Hz to 63Hz
Inrush Current (cold).....	Less than 30A at 115VAC, 25°C
Operating Temperature.....	-20 to 70°C de-rated 2.5%/°C >50°C
Storage Temperature.....	-40°C to 85°C
Cooling.....	Free Air Convection
Efficiency.....	75% to 85%
Holdup Time.....	>16ms at 115VAC
Overvoltage Type.....	Latch Off
Overload Protection.....	Auto recovery
Short Circuit Protection.....	Auto recovery
Designed in full compliance with	UL 60950-1, CSA 22.2 #60950-1, EN60950-1
EMI	FCC "B" EN55022 "B", EN55011 "B"
EMS.....	EN61000-4-2,-3,-4,-5,-6,-8,-11
Harmonics.....	EN61000-3-2

DESCRIPTION

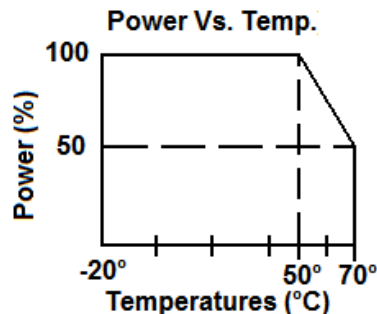
SNP-C08 series is a universal input single output power supply. The series is a 80 watt power supply in the size of 3.75" x 5.07" with a wattage density of 2.96W/in³. The efficiency can reach up to 77-86% depending on model.

FEATURES

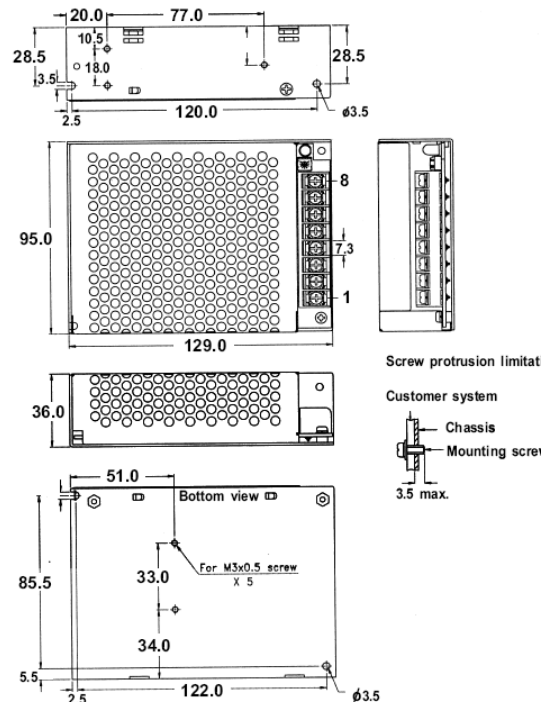
- EMI FCC Class B
- No Minimum Load Required
- Single & Multiple Outputs
- Universal input 90VAC to 264VAC
- LED Indicator

APPLICATIONS

- Computer Peripherals
- Telecommunications
- Tape Drives
- Test Instrumentation Product
- Data Acquisition
- Industrial



MECHANICAL SPECIFICATIONS



Connector:
 AC input & DC output : Terminal Block 8.25mm / 0.325" Spacing
 Size: 95mm x 129mm x 36mm ; 3.74" x 5.07" x 1.42"
 Net Weight 460g approx. / Unit



TRI-MAG, Inc.
your POWER Specialists

1601 N. CLANCY CT. • VISALIA, CA 93291
 (559) 651-2222 • FAX (559) 651-0188
<http://www.tri-mag.com>
sales@tri-mag.com

OUTPUT SPECIFICATIONS

Model	Watts	Voltage (Vdc)	Load (A)			Voltage Tolerance	Ripple & Noise Pk to Pk	Regulation	
			Min.	Rate	Peak			Line	Load
SNP-C08B	80	+3.3V	0	17	27	+3.25V~+3.355V	50mVpp	±1%	±1%
SNP-C086	80	+5V	0	14	23	+4.95V~+5.05V	50mVpp	±1%	±1%
SNP-C087	80	+12V	0	7	10.5	+11.4V~+12.6V	120mVpp	±1%	±1%
SNP-C088	80	+15V	0	5.3	8	+14.25V~+15.75V	150mVpp	±1%	±1%
SNP-C089	80	+24V	0	3.3	5	+22.8V~+25.2V	240mVpp	±1%	±1%
SNP-C08T	80	+48V	0	1.7	2.6	+45.6V~+50.4V	240mVpp	±1%	±1%
SNP-C083	80	+5V	0	7	12	+4.95V~+5.05V	50mVpp	±1%	±2%
		+12V	0	3	5	+11.4V~+12.6V	120mVpp	±1%	±2%
SNP-C08A	80	+5V	0	5	10	+4.95V~+5.05V	50mVpp	±1%	±2%
		+24V	0	2	4	+22.8V~+25.2V	480mVpp	±1%	±2%
SNP-C080	80	+5V	0	6	10	+4.95V~+5.05V	50mVpp	±1%	±2%
		+12V	0	2.5	5	+11.4V~+12.6V	120mVpp	±1%	±2%
		-12V	0	0.5	5	-11.4V~-12.6V	120mVpp	±1%	±3%
		-5V	0	0.5	5	+4.95V~+5.05V	50mVpp	±1%	±3%
SNP-C084	80	+5V	0	6	10	+4.95V~+5.05V	50mVpp	±1%	±2%
		+15V	0	2	4	+14.25V~+15.75V	120mVpp	±1%	±2%
		-15V	0	0.5	4	-14.25V~-15.75V	120mVpp	±1%	±3%
		-5V	0	0.5	4	-4.95V~-5.05V	50mVpp	±1%	±3%
SNP-C08F	80	+5V	0	4	8	+4.95V~+5.05V	50mVpp	±1%	±2%
		+12V	0	1.5	4	+11.4V~+12.6V	120mVpp	±1%	±2%
		+24V	0	1	2.5	+22.8V~+25.2V	240mVpp	±1%	±3%
		-12V	0	0.5	2.5	-11.4V~-12.6V	120mVpp	±1%	±3%

Note: Contact factory for Safety Agency Approved status.

SNP-C08 SERIES 80 WATT— PIN ASSIGNMENT

Pin Mode	1	2	4	4	5	6	7	8
SNP-C08B	AC/L	AC/N	Earth	GND	+3.3V			
SNP-C086	AC/L	AC/N	Earth	GND	+5V			
SNP-C087	AC/L	AC/N	Earth	GND	+12V			
SNP-C088	AC/L	AC/N	Earth	GND	+15V			
SNP-C089	AC/L	AC/N	Earth	GND	+24V			
SNP-C08T	AC/L	AC/N	Earth	GND	+48V			
SNP-C083	AC/L	AC/N	Earth	+12V	GND	+5V		
SNP-C08A	AC/L	AC/N	Earth	+24V	GND	+5V		
SNP-C080	AC/L	AC/N	Earth	-12V	-5V	+12V	GND	+5V
SNP-C084	AC/L	AC/N	Earth	-15V	-5V	+15V	GND	+5V
SNP-C08F	AC/L	AC/N	Earth	-12V	+24V	+12V	GND	+5V

All specifications and prices subject to change without notice