

DZ075 SERIES

75Watts For Medical & Industrial Applications

120 Watts Peak Current



DESCRIPTION

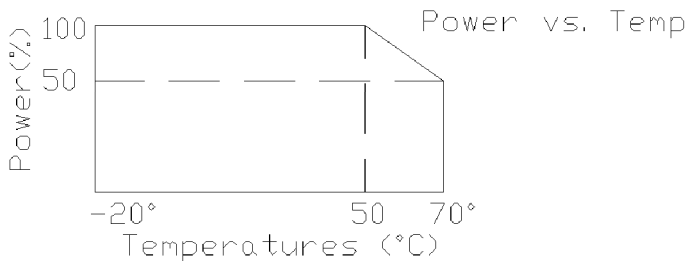
DZ075 series is a universal input multiple output power supply. The series is a 75 watts power supply in the size of 3"x 5" with a wattage density of 4.6W/in³. The efficiency can reach up to 85-90% depending on model.

FEATURES

- EMI FCC Class B
- No Minimum Load Required
- Single and Multiple Output
- Universal input 90VAC to 264VAC
- Low Leakage Current
- Double Fused

APPLICATIONS

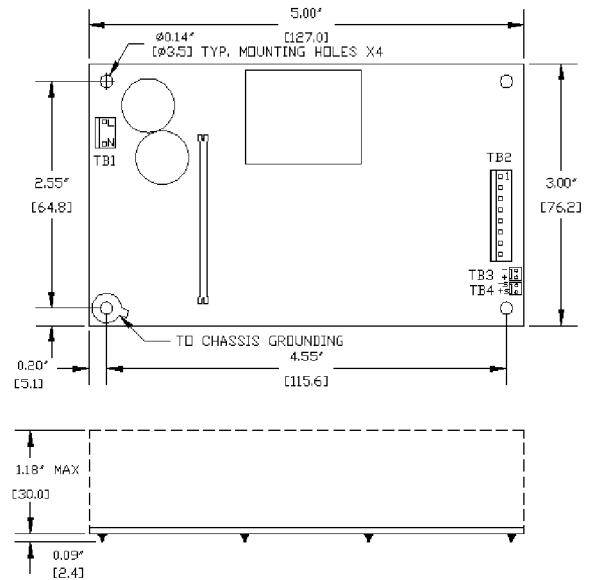
- Computer Peripherals
- Telecommunications
- Tape Drives
- Test Instrumentation Product
- Data Acquisition
- Medical & Dental



GENERAL SPECIFICATIONS

Input Voltage.....	90VAC to 264VAC
Input Frequency.....	47Hz to 63Hz
Inrush Current (cold).....	Less than 30A at 115VAC, 25°C
Operating Temperature.....	0 to 70°C de-rated 2.5%/°C >50°C
Storage Temperature.....	-20°C to 85°C
Cooling.....	Free Air Convection
Efficiency.....	82% Typical
Holdup Time.....	>20ms at 115VAC
Overvoltage Type.....	Latch Off
Overload Protection.....	Auto recovery
Short Circuit Protection.....	Auto recovery
Earth Leakage.....	300µA Max @ 240VAC
Designed in full compliance with	UL 60950, UL2601-1 CSA 22.2 #601-1, #234 EN60601-1
EMI	EN55022 "B", EN55011 "B" FCC docket class "B"
EMS.....	EN61000-4-2, -3, -4, -5, -6, -8, -11
Harmonics.....	EN61000-3-2 Class A

MECHANICAL SPECIFICATIONS



Connector: TB1—AC input : Molex 5277-02A or equivalent
 TB2—DC output : Molex 5273-08A or equivalent
 TB3 for LED use : Molex 5045-02A or equivalent
 TB4 for Remote sense : Molex 5045-02A or equivalent

Size: 76.2mm X 127mm X 32.4mm, 3" X 5" X 1.20"

Mounting Holes: 64.8mm X 115.6mm, 2.55" X 4.55"



TRI-MAG, Inc.
 your POWER Specialists

1601 N. CLANCY CT. • VISALIA, CA 93291
 (559) 651-2222 • FAX (559) 651-0188
<http://www.tri-mag.com>
 sales@tri-mag.com

OUTPUT SPECIFICATIONS

Model	Watts	Voltage (Vdc)	Load (A)			Tolerance ±	Ripple & Noise	Regulation	
			Min.	Rate	Peak			Line	Load
DZ075-6	75	+5V	0	14	-	1%	100 mV	1.0%	±1%
DZ075-7	75	+12V	0	5.6	9.0	1%	100 mV	1.0%	±1%
		+5V	0	0.5	-	5%	50 mV	1.0%	±1%
DZ075-8	75	+15V	0	4.8	8.0	1%	100 mV	1.0%	±1%
		+5V	0	0.5	-	5%	50 mV	1.0%	±1%
DZ075-9	75	+24V	0	3.0	5.0	1%	200 mV	1.0%	±1%
		+5V	0	0.5	-	5%	50 mV	1.0%	±1%
DZ075-3	75	+5V	0	3.5	5.0	1%	50 mV	1.0%	±3%
		+12V	0	4.0	9.0	5%	100 mV	1.0%	±3%
DZ075-1	75	+5V	0	3.5	5.0	1%	50 mV	1.0%	±3%
		+12V	0	3.5	9.0	5%	100 mV	1.0%	±3%
		-12V	0	0.3	-	5%	100 mV	1.0%	±5%
DZ075-19	75	+3.3V	0	6.0	10.0	3%	50 mV	1.0%	±3%
		+5V	0	4.0	7.0	5%	50 mV	1.0%	±3%
		+12V	0	2.0	-	5%	120 mV	1.0%	±5%
		-12V	0	0.6	-	1%	120 mV	1.0%	±5%
DZ075-14	75	+48V	0	1.6	-	1%	300 mV	1.0%	±1%
DZ075-18	50	+3.3V	0	15	-	1%	50 mV	1.0%	±1%

Note: Contact factory for Safety Agency Approved status.

1. Each output can provide up to peak load temporarily. Continuous staying in more than rated load is not allowed.
2. At factory, in 60% rated load condition, each output is checked to be within voltage accuracy.
3. Line regulation is defined by changing ±10% of input voltage from nominal line at rated load.
4. Load regulation is defined by changing ±40% of measured output load from 60% rated load.
5. The ripple and noise is measured by using 15MHz bandwidth limited oscilloscope and terminated each output with a 0.47 µF capacitor at rated load and nominal line.

“U” shape and enclosed available. DZ075-XXEC for Enclosed and DZ075-XXEU for “U” shape.

EC


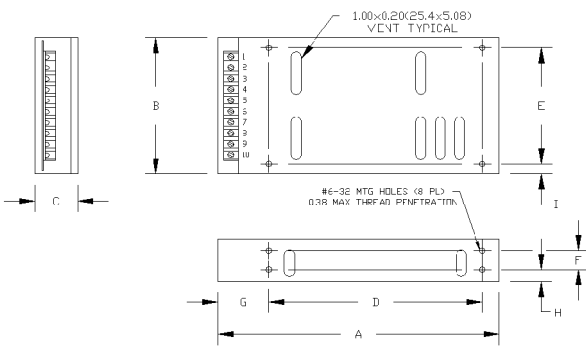


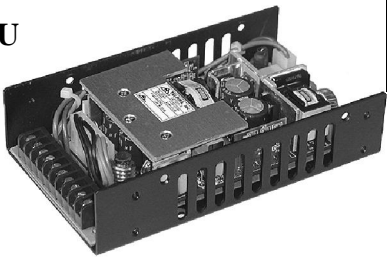
Figure	Inches	(mm)
A	6.22	158
B	3.66	93
C	1.45	36.8
D	5.00	127
E	1.93	49
F	0.79	20
G	0.79	20
H	0.28	7.11
I	0.86	21.8
J	4.00	101.6



1.00x0.20(25.4x5.08)
VENT TYPICAL

#6-32 MTG HOLES (8 PL)
0.3R MAX THRD(2) P/FM/T/RA/T/B

EU





TRI-MAG, Inc.
® *your* **POWER Specialists**

1601 N. CLANCY CT. • VISALIA, CA 93291
(559) 651-2222 • FAX (559) 651-0188
<http://www.tri-mag.com>
sales@tri-mag.com

DZ075 SERIES 75 WATT— PIN ASSIGNMENT

Pin	1	2	3	4	5	6	7	8
DZ075-6	+5V	+5V	+5V	+5V	COM	COM	COM	COM
DZ075-7	+12V	+12V	+12V	COM	COM	COM	COM	+5V
DZ075-8	+15V	+15V	+15V	COM	COM	COM	COM	+5V
DZ075-9	+24V	+24V	+24V	COM	COM	COM	COM	+5V
DZ075-3	+5V	+5V	COM	COM	COM	COM	+12V	+12V
DZ075-1	+5V	+5V	COM	COM	+12V	+12V	-12V	N/C
DZ075-19	+3.3V	+3.3V	COM	COM	+5V	+5V	-12V	+12V
DZ075-14	+48V	+48V	+48V	COM	COM	COM	COM	+5V
DZ075-18	+3.3V	+3.3V	+3.3V	+3.3V	COM	COM	COM	COM