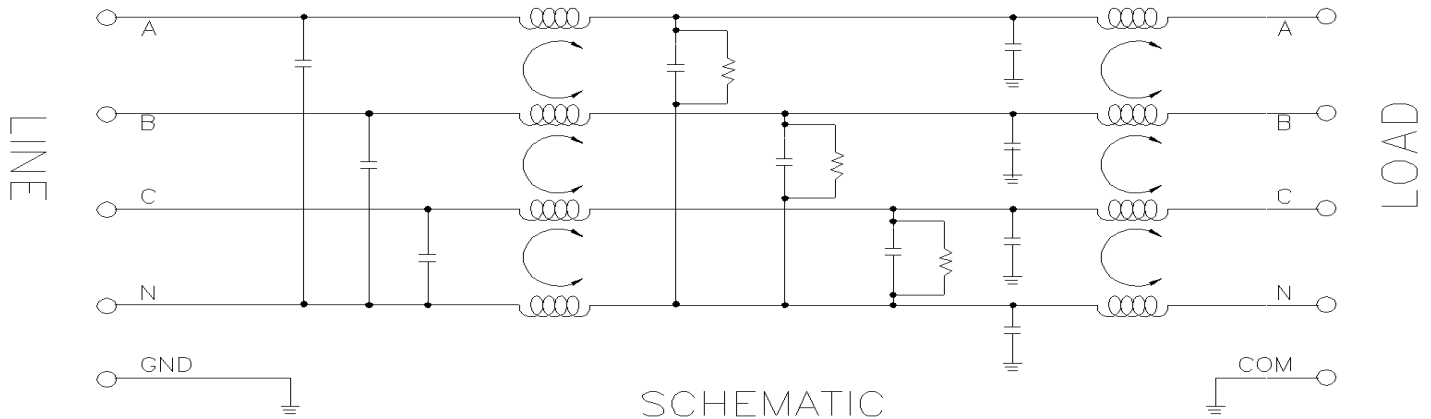


THREE PHASE WYE FILTERS, 250/440VAC, TPYB FILTERS



FEATURES AND SPECIFICATIONS



SPECIFICATIONS

1.0 HIGHPOT RATING:

LINE-TO-GROUND: 2000 VAC
LINE-TO-LINE: 2400 VDC

2.0 MAXIMUM LEAKAGE CURRENT, 250 VAC, 60 Hz, EACH LINE TO GROUND.

15 AMPS; 0.5mA, MAX
30 AMPS; 1.0mA, MAX
45 AMPS; 1.0mA, MAX
60 AMPS; 1.0mA, MAX

5.0 DIMENSIONS

PART NUMBER	RATED CURRENT	NOTE: FOR MOUNTING OPTIONS SEE PAGE 2										
		A	B	C	D1	D2	D3	D4	F	G	J	K
TPYB7.5-4FF	7.5	7.00	4.00	4.00	7.81	3.25	---	---	1.33	0.80	.18X.37	#8-32UNC
TPYB7.5-4IF	7.5	7.00	4.00	4.00	---	3.25	3.25	7.40	1.33	0.80	.18X.37	#8-32UNC
TPYB7.5-4SF	7.5	7.00	4.00	4.00	---	3.25	3.25	7.40	1.33	0.80	.18X.37	#8-32UNC
TPYB15-4FF	15	8.00	5.00	4.75	9.00	4.00	---	---	1.58	1.00	.25X.50	#8-32UNC
TPYB15-4IF	15	8.00	5.00	4.75	---	4.00	3.75	8.50	1.58	1.00	.25X.50	#8-32UNC
TPYB15-4SF	15	8.00	5.00	4.75	---	4.00	3.75	8.50	1.58	1.00	.25X.50	#8-32UNC
TPYB30-4FF	30	12.00	6.50	4.75	13.00	5.50	---	---	1.58	1.25	.31X.62	#10-32UNC
TPYB30-4IF	30	12.00	6.50	4.75	---	5.50	3.75	12.50	1.58	1.25	.31X.62	#10-32UNC
TPYB30-4SF	30	12.00	6.50	4.75	---	5.50	3.75	12.50	1.58	1.25	.31X.62	#10-32UNC

6.0 FEATURES

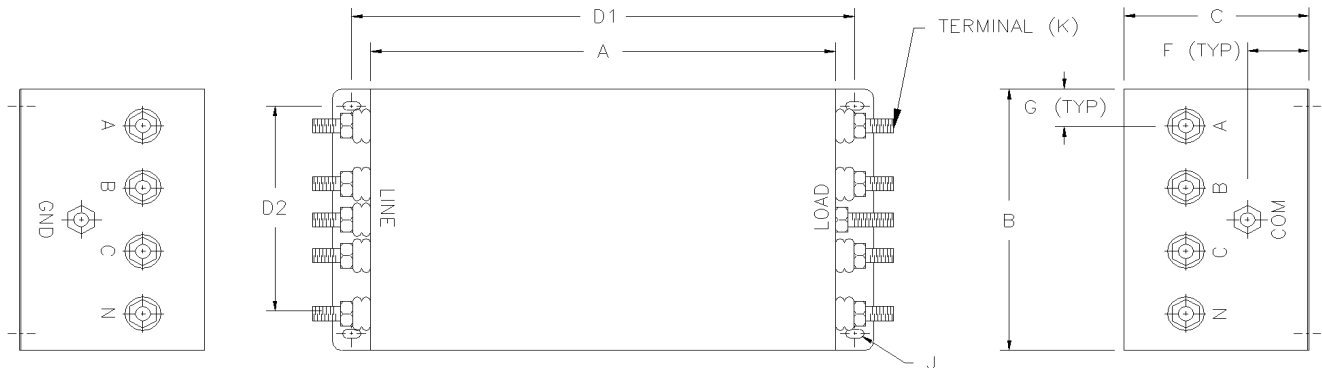
- * RUGGED CONSTRUCTION
- * REDUCES RADIATED AND CONDUCTED EMISSIONS FROM VFD
- * SUITABLE EITHER FOR WYE OR DELTA CONNECTION



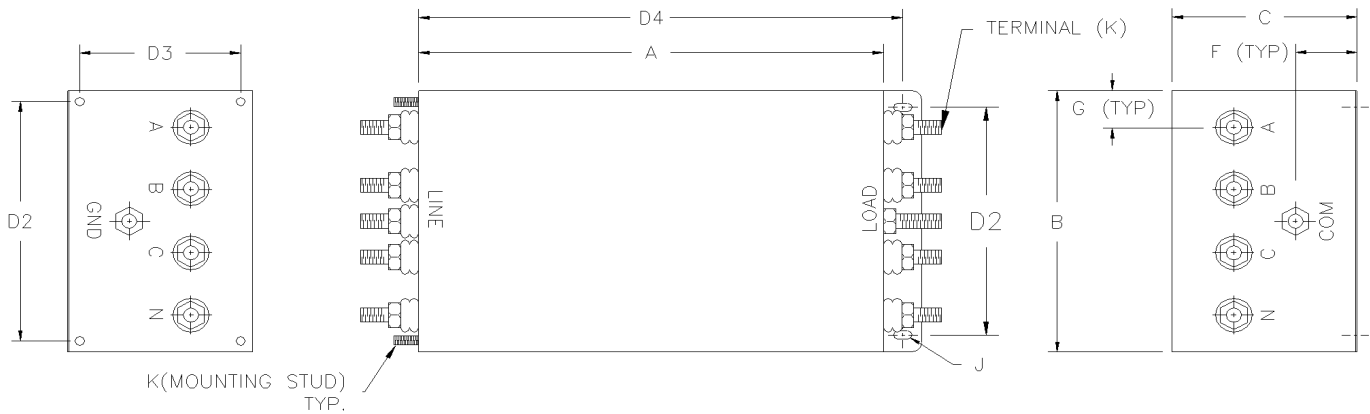
TRI-MAG, Inc.
your POWER Specialists

1601 N. CLANCY CT. • VISALIA, CA 93291
 (559) 651-2222 • FAX (559) 651-0188
<http://www.tri-mag.com>
<http://eemonline.com/tri-mag>
 tri-mag@worldnet.att.net

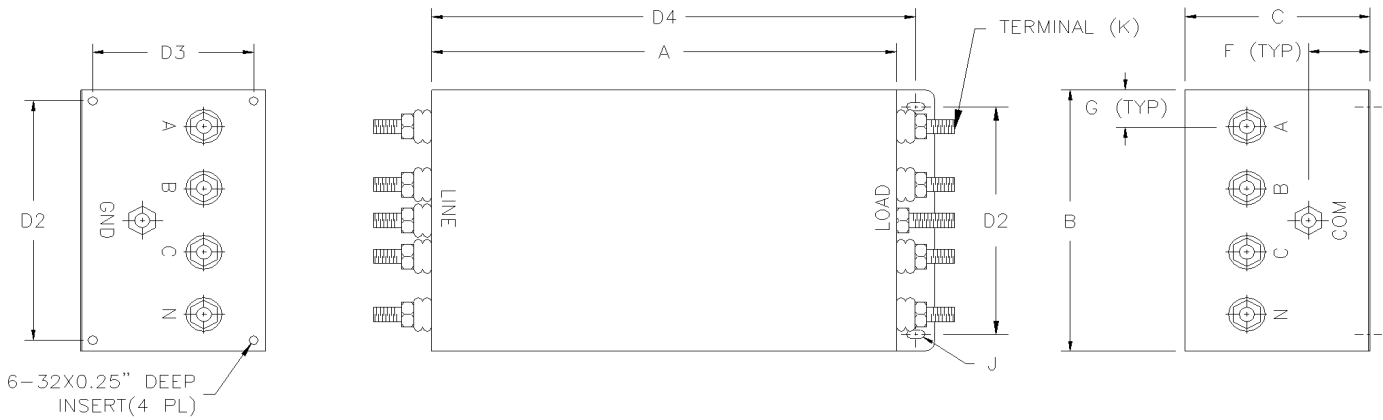
THREE PHASE WYE FILTERS, 250/440VAC, TPYB FILTERS



FF OPTION



SF OPTION



IF OPTION