



TRI-MAG, Inc.
your POWER Specialists

1601 N. CLANCY CT. • VISALIA, CA 93291
 (559) 651-2222 • FAX (559) 651-0188
<http://www.tri-mag.com>
<http://eemonline.com/tri-mag>
 tri-mag@worldnet.att.net

POWER ENTRY MODULE, FILTERED, B SERIES

FEATURES AND SPECIFICATIONS



OPTIONS

PART NUMBER	RATED CURRENT	IEC CONN	FUSE	ON/OFF SWITCH	VOLT SELECT
B3-12S10E	3A	YES	YES	YES	NO
B3-12VS10E	3A	YES	YES	NO	YES
B3-12S10EVS	3A	YES	YES	YES	YES
B3-12AVS3	3A	YES	YES	NO	YES
B6-12S10E	6A	YES	YES	YES	NO
B6-12VS10E	6A	YES	YES	NO	YES
B6-12S10EVS	6A	YES	YES	YES	YES

SPECIFICATIONS

1.0 HIGHPOT RATING:

LINE-TO-GROUND: 2000 VAC
 LINE-TO-LINE: 1750 VDC

2.0 RATED VOLTAGES AND FREQUENCY:

115/250 VAC, 47-63 Hz

3.0 MAXIMUM LEAKAGE CURRENT, EACH LINE TO GROUND.

115 VAC, 60 Hz: 0.25 mA MAX
 250 VAC, 60 Hz: 0.50 mA MAX

4.0 PERFORMANCE

MHZ.		0.15	0.20	0.50	10.00	20.00
CM	L/G	20 dB	0.20	0.50	10.00	20.00
DM	L/L	0.15	0.20	0.50	10.00	20.00

APPLICATIONS

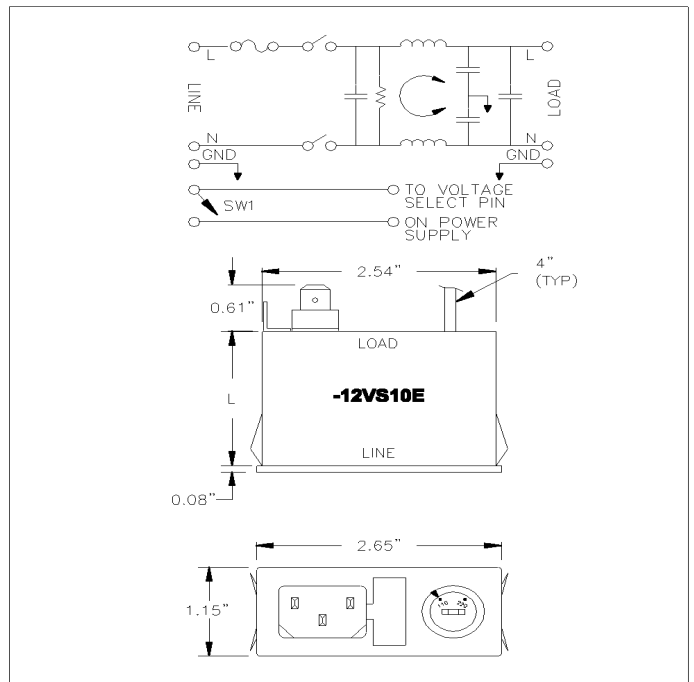
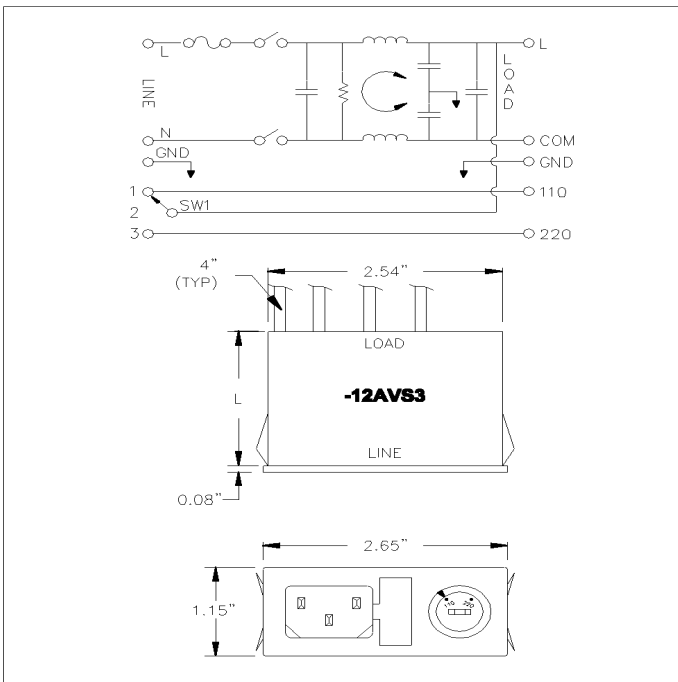
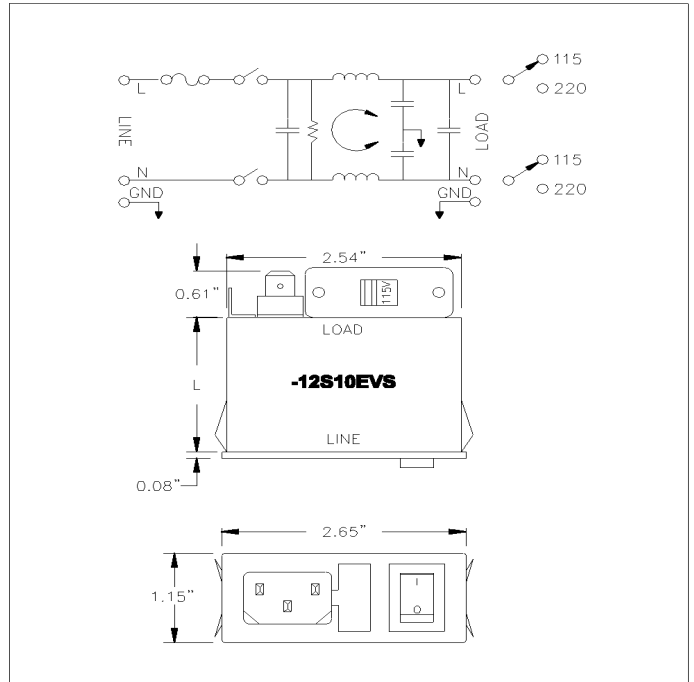
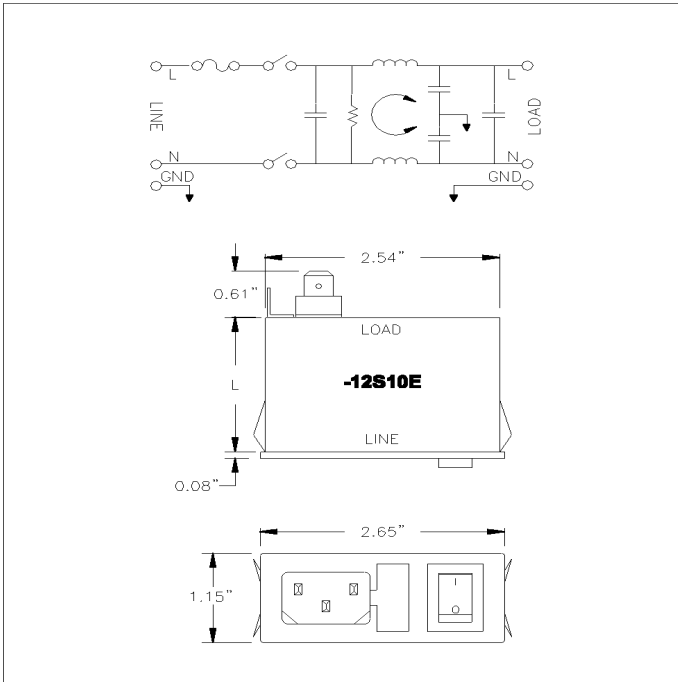
- * MICROPROCESSORS
- * DIGITAL TEST EQUIPMENT
- * SMPS WITH ON-BOARD FILTER

FEATURES

- * MINIMUM SPACE REQUIREMENT
- * COST SAVING INTREGRATION
- * SAFETY INTERLOCK ON FUSE



POWER ENTRY MODULE, FILTERED, B SERIES



NOTES:
 L = 1.75" FOR B3
 L = 2.13" FOR B6