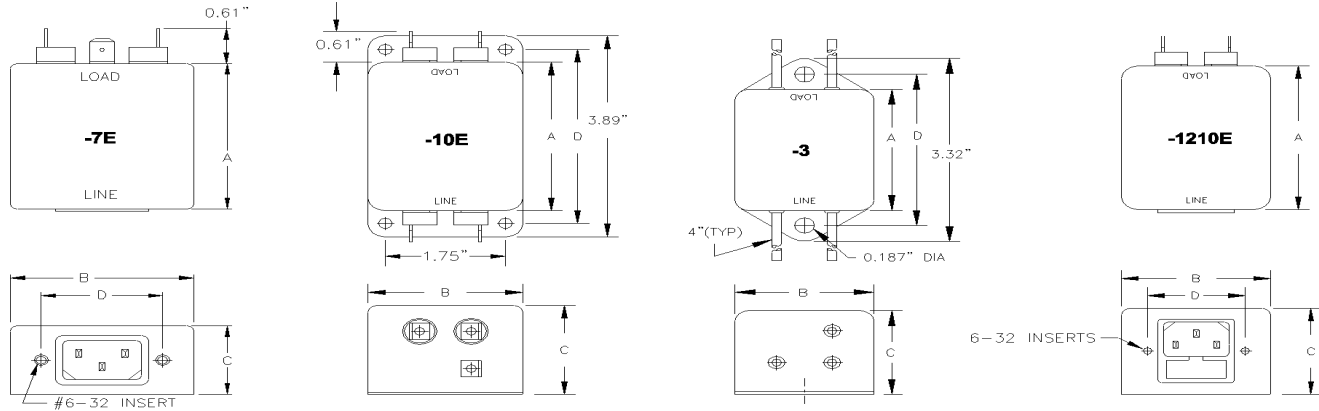


GENERAL PURPOSE FILTERS, PB SERIES



FEATURES AND SPECIFICATIONS



SPECIFICATIONS

1.0 HIGHPOT RATING:

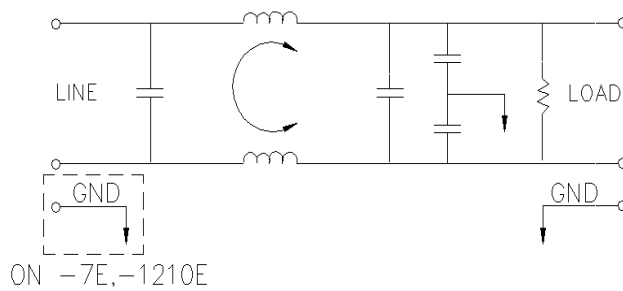
LINE-TO-GROUND: 2000 VAC
 LINE-TO-LINE: 1750 VDC

2.0 MAXIMUM LEAKAGE CURRENT, EACH LINE TO GROUND.

115 VAC, 60 Hz: 0.25 mA MAX
 250 VAC, 60 Hz: 0.50 mA MAX

3.0 PERFORMANCE

MHz	0.01	0.02	0.05	0.15	0.50	1.00	5.00	10.00	30.00
C/M L/G	30 dB	35 dB	45 dB	65 dB	65 dB	65 dB	65 dB	65 dB	65 dB
D/M L/L	35 dB	40 dB	45 dB	50 dB	55 dB	60 dB	65 dB	60 dB	65 dB



4.0 RATED VOLTAGES AND FREQUENCY:

115/250 VAC, 47-63 Hz

APPLICATIONS

- * SYSTEMS WITH SWITCH MODE POWER SUPPLIES
- * COMPUTERS
- * PROCESS CONTROL EQUIPMENT

FEATURES

- * FUSED AND UNFUSED CONNECTOR
- * SPARE FUSE HOLDER
- * OTHER TERMINATIONS ARE AVAILABLE

+ = VDE

5.0 DIMENSIONS (INCHES)

PART NUMBER	RATED CURRENT	DIMENSIONS (INCHES)			
		A	B	C	D
PB3-3	3A	2.50	2.00	1.50	2.94
PB3-7E	3A	2.50	2.19	1.50	1.57
PB3-10E	3A	2.88	2.25	1.50	3.37
PB3-1210E	3A	2.88	2.13	1.50	1.42
PB5-3	5A	2.50	2.00	1.50	2.94
PB5-7E	5A	2.88	2.13	1.50	1.57
PB5-10E	5A	2.88	2.25	1.50	3.37