



TRI-MAG, Inc.

® *your* **POWER Specialists**

1601 N. CLANCY CT. • VISALIA, CA 93291
(559) 651-2222 • FAX (559) 651-0188
<http://www.tri-mag.com>
<http://eemonline.com/tri-mag>
tri-mag@worldnet.att.net

TSP2 SERIES

1-2 Watt

DC-DC CONVERTER

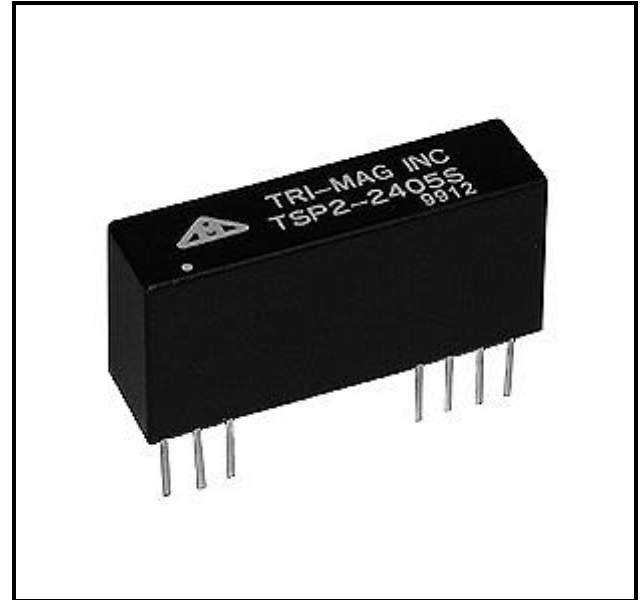
SIP Type

FEATURES

- PCB Mountable
- High Stable Regulated Output
- Thermally Conductive Encapsulate
- 100% Burn-In And Triple Tested
- MTBF > 400,000 Hours

APPLICATIONS

- Local Area Network
- Isolation Devices
- Telecommunications
- Industrial And Testing Equipment
- Battery-Powered Equipment
- Medical Equipment
- Distributed Power Equipment



ELECTRICAL SPECIFICATIONS

Input Voltage Range	± 10%
Output voltage Accuracy	± 5%
Load Regulation	± 5%
Line Regulation	± 1%
Ripple & Noise	50mV p-p for 5V, 1% for other voltages
Short Circuit Protection	Short Term, (10 sec. max.)

GENERAL SPECIFICATIONS

Efficiency (at full load)	70% typical
Isolation Voltage	500VDC
Operating Frequency	20KHz min.
Operating Temperature	-25°C to +70°C
Storage Temperature	-40°C to +100°C
Isolation Resistance	10 ⁹ Ohms, min.
Weight	0.3 Oz. (8 grams)
Case Material	Non-conductive Plastic



TRI-MAG, Inc.

® *your* POWER Specialists

1601 N. CLANCY CT. • VISALIA, CA 93291

(559) 651-2222 • FAX (559) 651-0188

<http://www.tri-mag.com>

<http://eemonline.com/tri-mag>

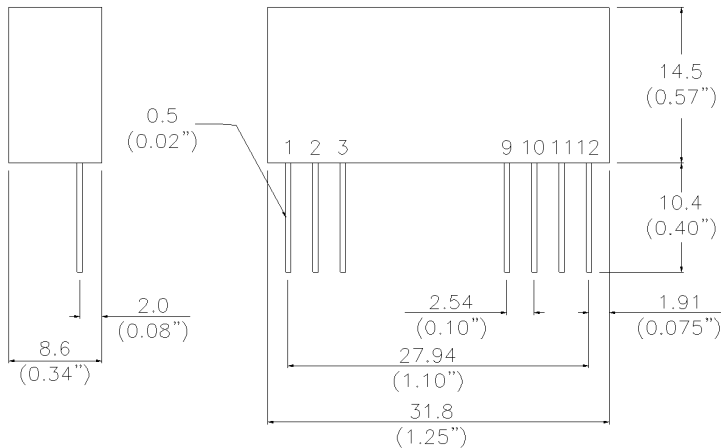
tri-mag@worldnet.att.net

TSP2 SERIES SINGLE & DUAL OUTPUT SPECIFICATIONS

Model-Type	Input Voltage (Vdc)	Input Current mA (typ)		Output Voltage (Vdc)	Output Current mA (max)
		No Load	Full Load		
TSP2-0505S	5	60	600	5	300
TSP2-0512S	5	60	490	12	125
TSP2-0515S	5	50	480	15	100
TSP2-0512D	5	60	525	±12	±60
TSP2-0515D	5	45	490	±15	±50
TSP2-1205S	12	30	250	5	300
TSP2-1212S	12	20	210	12	125
TSP2-1215S	12	20	205	15	100
TSP2-1212D	12	25	200	±12	±60
TSP2-1215D	12	30	210	±15	±50
TSP2-2405S	24	15	125	5	300
TSP2-2412S	24	25	115	12	125
TSP2-2415S	24	20	110	15	100
TSP2-2412D	24	20	100	±12	±60
TSP2-2415D	24	15	105	±15	±50

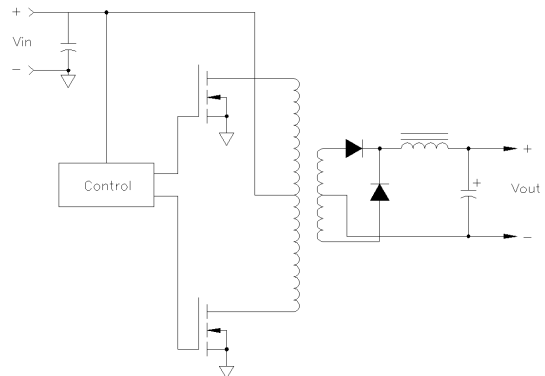
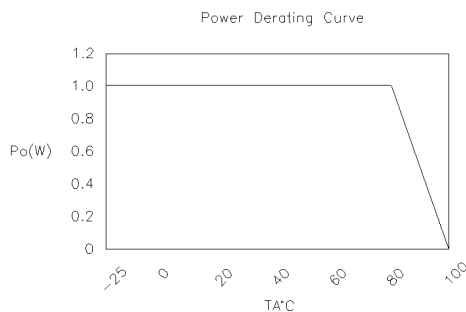
S: Single Output D: Dual Output

Specifications subject to change without notice.



Pin Connections

Pin	Single	Dual
1	+ Input	+ Input
2	NC	- Output
3	NC	Common
9	NC	NC
10	- Output	Common
11	+ Output	+ Output
12	- Input	- Input



All specifications and prices subject to change without notice