



TRI-MAG, Inc.

® *your* POWER Specialists

1601 N. CLANCY CT. • VISALIA, CA 93291
(559) 651-2222 • FAX (559) 651-0188
<http://www.tri-mag.com>
<http://eemonline.com/tri-mag>
tri-mag@worldnet.att.net

TDH4W SERIES

3 Watt, 1500VDC Isolation

DC-DC CONVERTER

24 Pin DIP 2:1 Wide Range Input

FEATURES

- PCB Mountable
- High Stable Regulated Output
- Thermally Conductive Encapsulant
- 100% Burn-In And Triple Tested
- MTBF > 400,000 Hours

APPLICATIONS

- Local Area Network
- Isolation Devices
- Telecommunications
- Industrial And Testing Equipment
- Battery-Powered Equipment
- Medical Equipment
- Distributed Power Equipment



ELECTRICAL SPECIFICATIONS

Input Voltage Range	2:1
Output voltage Accuracy	±3%
Load Regulation	±1% (Single Output), ±2.5% (Dual Output)
Line Regulation	±1%
Ripple & Noise	50mV p-p for 5V, 1% for other voltages
Short Circuit Protection	Fold-back

GENERAL SPECIFICATIONS

Efficiency (at full load)	70% typical
Isolation Voltage	1500 VDC
Operating Frequency	25KHz min.
Operating Temperature	-25°C to +70°C
Storage Temperature	-40°C to +100°C
Isolation Resistance	10 ⁹ Ohms, min.
weight	0.5 Oz. (14.2 grams)
Case Material	Non-conductive Plastic



TRI-MAG, Inc.

® *your* POWER Specialists

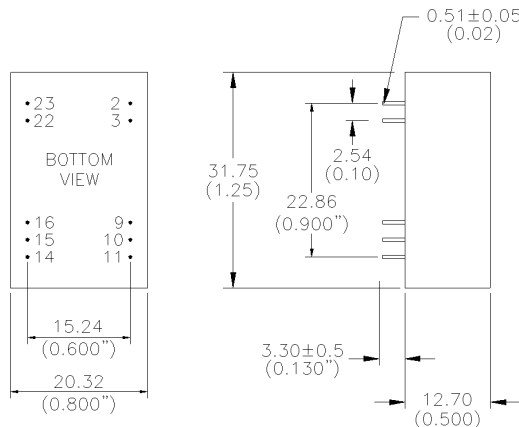
1601 N. CLANCY CT. • VISALIA, CA 93291
 (559) 651-2222 • FAX (559) 651-0188
<http://www.tri-mag.com>
<http://eemonline.com/tri-mag>
 tri-mag@worldnet.att.net

TDH4W SERIES SPECIFICATIONS

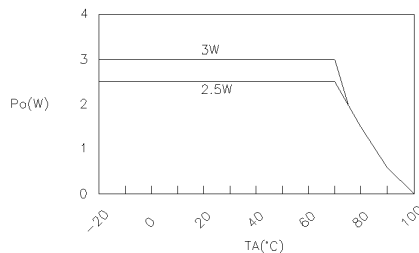
Model-Type	Input Voltage (Vdc)	Input Current mA (typ)		Output Voltage (Vdc)	Output Current mA (max)
		No Load	Full Load		
TDH4W-0505S	4.5-6.0 (5)	90	835	5	500
TDH4W-0512S		100	920	12	250
TDH4W-0515S		100	920	15	200
TDH4W-0505D		90	780	±5	±250
TDH4W-0512D		100	920	±12	±125
TDH4W-0515D		100	920	±15	±100
TDH4W-1205S	9-18 (12)	40	320	5	500
TDH4W-1212S		40	355	12	250
TDH4W-1215S		40	355	15	200
TDH4W-1205D		40	315	±5	±250
TDH4W-1212D		40	355	±12	±125
TDH4W-1215D		40	355	±15	±100
TDH4W-2405S	18-36 (24)	20	160	5	500
TDH4W-2412S		20	175	12	250
TDH4W-2415S		20	175	15	200
TDH4W-2405D		20	155	±5	±250
TDH4W-2412D		20	180	±12	±125
TDH4W-2415D		20	170	±15	±100
TDH4W-4805S	36-72 (48)	20	95	5	500
TDH4W-4812S		20	85	12	250
TDH4W-4815S		20	85	15	200
TDH4W-4805D		20	75	±5	±250
TDH4W-4812D		20	85	±12	±125
TDH4W-4815D		20	85	±15	±100

S: Single Output

D: Dual Output



Power Derating Curve



Pin Connections

FUNCTION	Single	Dual
+ Input	22&23	22&23
- Input	2&3	2&3
+Output	14	14
Common	NC	9&16
- Output	16	11

