



**TRI-MAG, Inc.**

® *your* POWER Specialists

1601 N. CLANCY CT. • VISALIA, CA 93291  
(559) 651-2222 • FAX (559) 651-0188  
<http://www.tri-mag.com>  
<http://eemonline.com/tri-mag>  
tri-mag@worldnet.att.net

# TDC7X SERIES

## 7.5 Watt

DC-DC CONVERTER

4:1 Wide Range Input

### FEATURES

- PCB Mountable
- High Stable Regulated Output
- Thermally Conductive Encapsulant
- 100% Burn-In And Triple Tested
- MTBF > 400,000 Hours

### APPLICATIONS

- Local Area Network
- Isolation Devices
- Telecommunications
- Industrial And Testing Equipment
- Battery-Powered Equipment
- Medical Equipment
- Distributed Power Equipment



### ELECTRICAL SPECIFICATIONS

Input Voltage Range	4:1
Output voltage Accuracy	±2%
Load Regulation	±1% (Single Output), ±2.5% (Dual Output)
Line Regulation	±1%
Ripple & Noise	100mV p-p for 5V, 1% for other voltages
Short Circuit Protection	Fold back

### GENERAL SPECIFICATIONS

Efficiency (at full load)	70% typical
Isolation Voltage	500VDC
Operating Frequency	100KHz min.
Operating Temperature	0°C to 70°C Based Temperature
Storage Temperature	-40°C to +100°C
Isolation Resistance	10 <sup>9</sup> Ohms, min.
weight	1.5 Oz. (42 grams)
Case Material	Black coated with non-conductive metal base



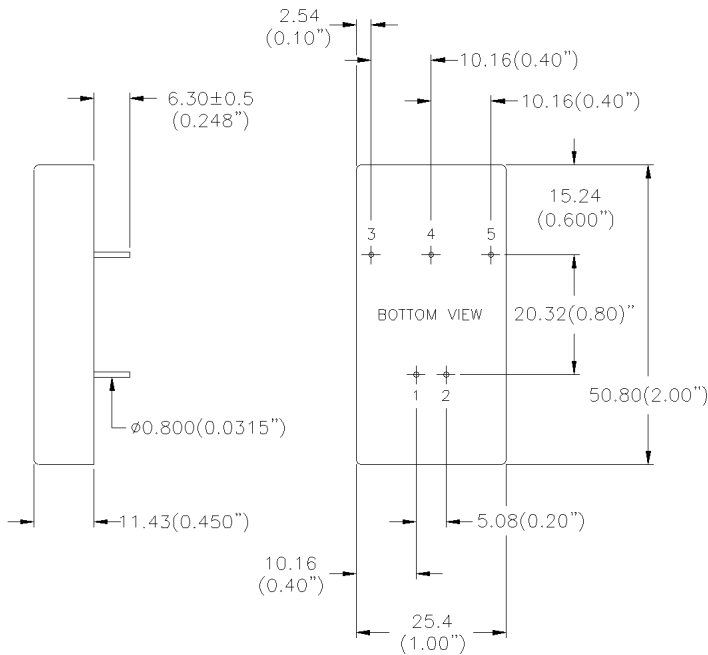
**TRI-MAG, Inc.**  
 your POWER Specialists

1601 N. CLANCY CT. • VISALIA, CA 93291  
 (559) 651-2222 • FAX (559) 651-0188  
<http://www.tri-mag.com>  
<http://eemonline.com/tri-mag>  
 tri-mag@worldnet.att.net

### TDC7X SERIES SPECIFICATIONS

Model-Type	Input Voltage (Vdc)	Input Current mA (typ)		Output Voltage (Vdc)	Output Current mA (max)
		No Load	Full Load		
TDC7X-2405S	9-36 (24)	60	895	5	1500
TDC7X-2412S		60	895	12	625
TDC7X-2415S		60	895	15	500
TDC7X-2405D		60	895	±5	±750
TDC7X-2412D		60	800	±12	±300
TDC7X-2415D		60	835	±15	±250
TDC7X-4805S	20-72 (48)	50	435	5	1500
TDC7X-4812S		50	430	12	625
TDC7X-4815S		50	430	15	500
TDC7X-4805D		50	430	±5	±750
TDC7X-4812D		50	395	±12	±300
TDC7X-4815D		50	415	±15	±250

S: Single Output    D: Dual Output

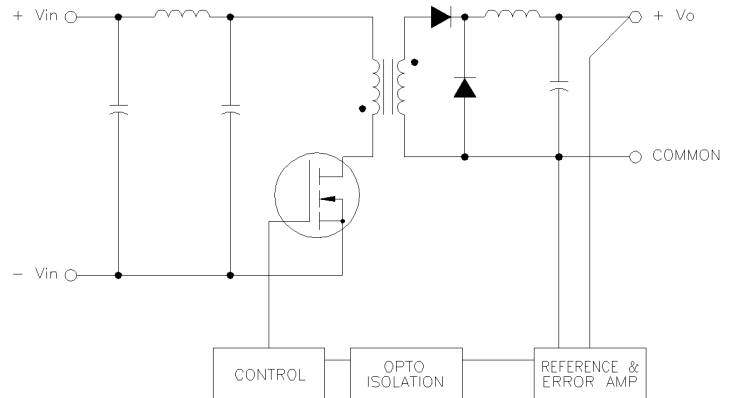


Power Derating Curve



### Pin Connections

Pin	Single	Dual
1	+ Input	+ Input
2	- Input	- Input
3	+ Output	+ Output
4	No Pin	Common
5	- Output	- Output



All specifications and prices subject to change without notice