



TRI-MAG, Inc.

® *your* POWER Specialists

1601 N. CLANCY CT. • VISALIA, CA 93291
(559) 651-2222 • FAX (559) 651-0188
<http://www.tri-mag.com>
<http://eemonline.com/tri-mag>
tri-mag@worldnet.att.net

TDB3 SERIES

2 Watt

DC-DC CONVERTER

24 Pin DIP Single & Dual Output

FEATURES

- PCB Mountable
- High Stable Regulated Output
- Thermally Conductive Encapsulant
- 100% Burn-In And Triple Tested
- MTBF > 400,000 Hours

APPLICATIONS

- Local Area Network
- Isolation Devices
- Telecommunications
- Industrial And Testing Equipment
- Battery-Powered Equipment
- Medical Equipment
- Distributed Power Equipment



ELECTRICAL SPECIFICATIONS

Input Voltage Range	± 10%
Output voltage Accuracy	±3%
Load Regulation	±5%
Line Regulation	±1%
Ripple & Noise	50mV p-p for 5V, 1% for other voltages
Short Circuit Protection	Short Term, (10 sec. max.)

GENERAL SPECIFICATIONS

Efficiency (at full load)	70% typical
Isolation Voltage	500VDC
Operating Frequency	25KHz min.
Operating Temperature	-25°C to +70°C
Storage Temperature	-40°C to +100°C
Isolation Resistance	10 ⁹ Ohms, min.
weight	0.5 Oz. (14.2 grams)
Case Material	Non-conductive Plastic



TRI-MAG, Inc.

® *your* POWER Specialists

1601 N. CLANCY CT. • VISALIA, CA 93291

(559) 651-2222 • FAX (559) 651-0188

<http://www.tri-mag.com>

<http://eemonline.com/tri-mag>

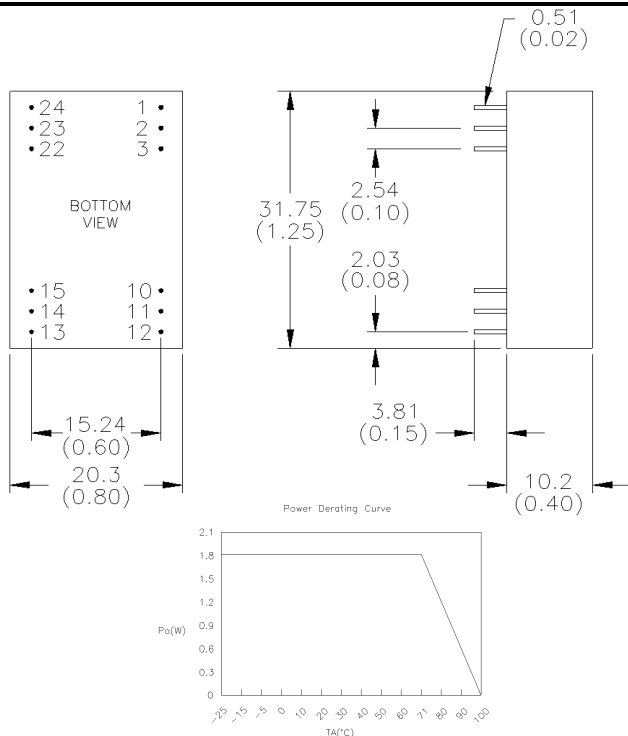
tri-mag@worldnet.att.net

TDB3 SERIES SPECIFICATIONS

Model-Type	Input Voltage (Vdc)	Input Current mA (typ)		Output Voltage (Vdc)	Output Current mA (max)
		No Load	Full Load		
TDB3-0505S	5	100	720	5	360
TDB3-0509S	5	70	590	9	200
TDB3-0512S	5	70	630	12	150
TDB3-0515S	5	70	550	15	120
TDB3-0505D	5	70	770	±5	±180
TDB3-0512D	5	120	640	±12	±75
TDB3-0515D	5	60	620	±15	±60
TDB3-1205S	12	22	290	5	360
TDB3-1209S	12	25	290	9	200
TDB3-1212S	12	26	250	12	150
TDB3-1212D	12	20	260	±12	±75
TDB3-1215D	12	25	235	±15	±60
TDB3-2405S	24	20	150	5	360
TDB3-2412S	24	16	130	12	150
TDB3-2415S	24	25	140	15	120
TDB3-2405D	24	20	240	5	±180
TDB3-2412D	24	15	130	±12	±75
TDB3-2415D	24	15	125	±15	±60
TDB3-4805S	48	15	75	5	360
TDB3-4812S	48	15	65	12	150
TDB3-4815S	48	15	65	15	120
TDB3-4812D	48	10	70	±12	±75
TDB3-4815D	48	15	65	±15	±60

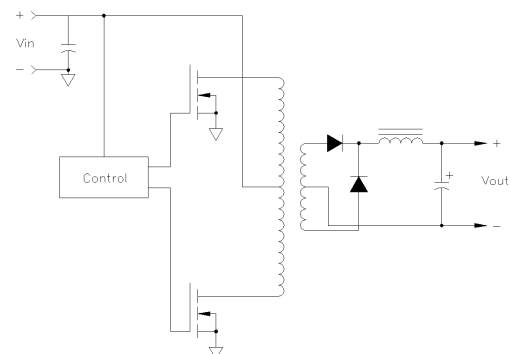
S: Single Output

D: Dual Output



Pin Connections

Pin	Single	Dual
1&24	+ Input	+ Input
2&23	NC	- Output
3&22	NC	Common
10&15	- Output	Common
11&14	+ Output	+ Output
12&13	- Input	- Input



All specifications and prices subject to change without notice