



**TRI-MAG, Inc.**

® *your* POWER Specialists

1601 N. CLANCY CT. • VISALIA, CA 93291  
(559) 651-2222 • FAX (559) 651-0188  
<http://www.tri-mag.com>  
<http://eemonline.com/tri-mag>  
tri-mag@worldnet.att.net

## TDA2 SERIES

**2-3 Watt, 2500VDC Isolation**

DC-DC CONVERTER

2:1 Wide Range Input

### FEATURES

- PCB Mountable
- High Stable Regulated Output
- Thermally Conductive Encapsulate
- 100% Burn-In And Triple Tested
- MTBF > 400,000 Hours

### APPLICATIONS

- Local Area Network
- Isolation Devices
- Telecommunications
- Industrial And Testing Equipment
- Battery-Powered Equipment
- Medical Equipment
- Distributed Power Equipment



### ELECTRICAL SPECIFICATIONS

Input Voltage Range	2:1
Output voltage Accuracy	± 3%
Load Regulation	± 1%
Line Regulation	± 1%
Ripple & Noise	50mV p-p for 5V, 1% for other voltages
Short Circuit Protection	Fold-Back

### GENERAL SPECIFICATIONS

Efficiency (at full load)	70% typical
Isolation Voltage	2500VDC
Operating Frequency	25KHz min.
Operating Temperature	-25°C to +70°C
Storage Temperature	-40°C to +100°C
Isolation Resistance	10 <sup>9</sup> Ohms, min.
weight	1.0 Oz. (28.4 grams)
Case Material	Non-conductive Plastic



**TRI-MAG, Inc.**

® *your* POWER Specialists

1601 N. CLANCY CT. • VISALIA, CA 93291

(559) 651-2222 • FAX (559) 651-0188

<http://www.tri-mag.com>

<http://eemonline.com/tri-mag>

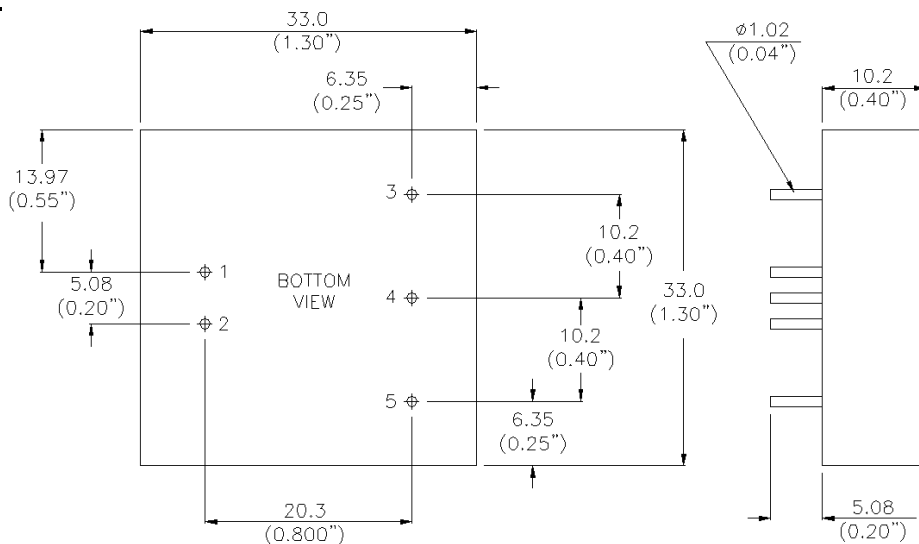
[tri-mag@worldnet.att.net](mailto:tri-mag@worldnet.att.net)

## TDA2 SERIES SPECIFICATIONS

Model-Type	Input Voltage (Vdc)	Input Current mA (typ)		Output Voltage (Vdc)	Output Current mA (max)
		No Load	Full Load		
TDA2-0505S	4.5-6.0 (5)	80	565	5	360
TDA2-0512S		85	750	12	200
TDA2-0515S		80	460	15	100
TDA2-1205S	9-18 (12)	45	230	5	360
TDA2-1209S		50	270	9	250
TDA2-1212S		50	300	12	200
TDA2-1215S		50	185	15	100
TDA2-2405S	18-36 (24)	25	106	5	360
TDA2-2412S		30	133	12	200
TDA2-2415S		30	85	15	100
TDA2-4805S	36-72 (48)	15	55	5	360
TDA2-4812S		15	73	12	200
TDA2-4815S		15	48	15	100

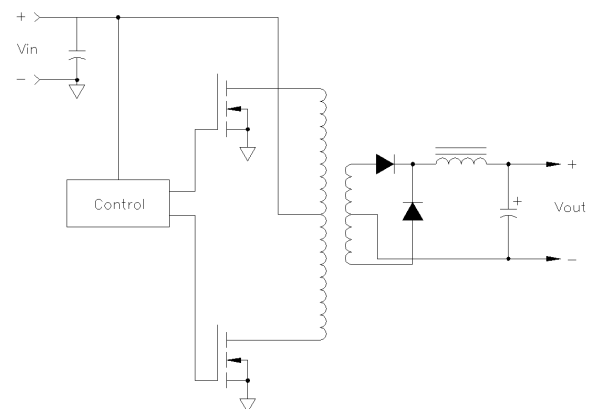
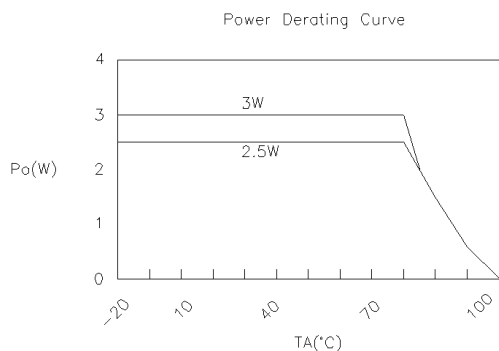
S: Single Output

Specifications subject to change without notice.



### Pin Connections

Pin	Single
1	+ Input
2	- Input
3	No Pin
4	+ Output
5	- Output



All specifications and prices subject to change without notice