



TRI-MAG, Inc.

® *your* POWER Specialists

1601 N. CLANCY CT. • VISALIA, CA 93291
(559) 651-2222 • FAX (559) 651-0188
<http://www.tri-mag.com>
<http://eemonline.com/tri-mag>
tri-mag@worldnet.att.net

980ZX SERIES

30 Watt

DC-DC CONVERTER
4:1 Wide Range Input

FEATURES

- PCB Mountable
- High Stable Regulated Output
- Thermally Conductive Encapsulant
- 100% Burn-In And Triple Tested
- MTBF > 400,000 Hours

APPLICATIONS

- Local Area Network
- Isolation Devices
- Telecommunications
- Industrial And Testing Equipment
- Battery-Powered Equipment
- Medical Equipment
- Distributed Power Equipment



ELECTRICAL SPECIFICATIONS

Input Voltage Range	4:1
Output voltage Accuracy	Single & Dual $\pm 1\%$, Triple $+V_1$ & $-V_2 \pm 2\%$, $+V_3 \pm 5\%$
Load Regulation	Single $\pm 1\%$, Dual $\pm 2\%$, Triple $\pm 1\%$
Line Regulation	Single & Dual $\pm 0.5\%$ max., Triple $\pm 1\%$
Ripple & Noise	Single & Dual 50mV p-p for 5V, 1% for other voltages, Triple $\pm 5V -2\%$ p-p, other $\pm 1\%$ p-p
Short Circuit Protection	Continuous (Fold-Back)
Overload Protection	Triple Point 6.8V or rated output +3V

GENERAL SPECIFICATIONS

Efficiency (at full load)	75% typical
Isolation Voltage	500VDC
Operating Frequency	100KHz min.
Operating Temperature	-25°C to +70°C
Storage Temperature	-40°C to +100°C
Isolation Resistance	10^9 Ohms, min.
Reflected Ripple Current	20mA, typical
Weight	7.5 Oz. (210 grams)
Case Material	Black coated with non-conductive metal base



TRI-MAG, Inc.

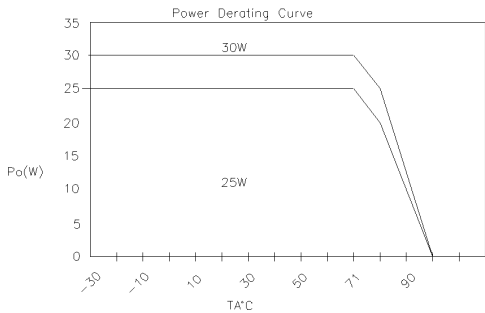
® *your* POWER Specialists

1601 N. CLANCY CT. • VISALIA, CA 93291
 (559) 651-2222 • FAX (559) 651-0188
<http://www.tri-mag.com>
<http://eemonline.com/tri-mag>
 tri-mag@worldnet.att.net

980ZX SERIES SINGLE AND DUAL OUTPUT SPECIFICATIONS

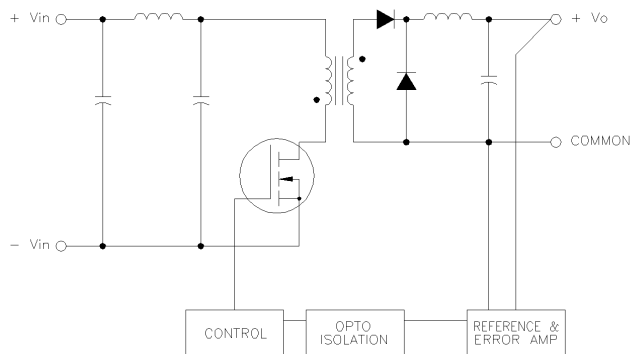
Model-Type	Input Voltage (Vdc)	Input Current mA (typ)		Output Voltage (Vdc)	Output Current mA (max)
		No Load	Full Load		
980ZX2405S	9-36 (24)	40	2780	5	5000
980ZX2412S		40	3290	12	2500
980ZX2415S		40	3205	15	2000
980ZX2412D		40	3245	±12	±1250
980ZX2415D		40	3205	±15	±1000
980ZX4805S	20-72 (48)	30	1335	5	6000
980ZX4812S		30	1500	12	2500
980ZX4815S		30	1560	15	2000
980ZX4812D		30	1560	±12	±1250
980ZX4815D		30	1560	±15	±1000

S: Single Output D: Dual Output



Pin Connections

Pin	Single	Dual	Triple
1	+ Input	+ Input	+ Input
2	- Input	- Input	- Input
3	NC	+ Output	+ Output
4	Trim	Common	Common
5	NC	- Output	- Output
6	+ Output	NC	+5V Output
7	- Output	NC	NC
8	Remote On/Off		





TRI-MAG, Inc.

® *your* POWER Specialists

1601 N. CLANCY CT. • VISALIA, CA 93291

(559) 651-2222 • FAX (559) 651-0188

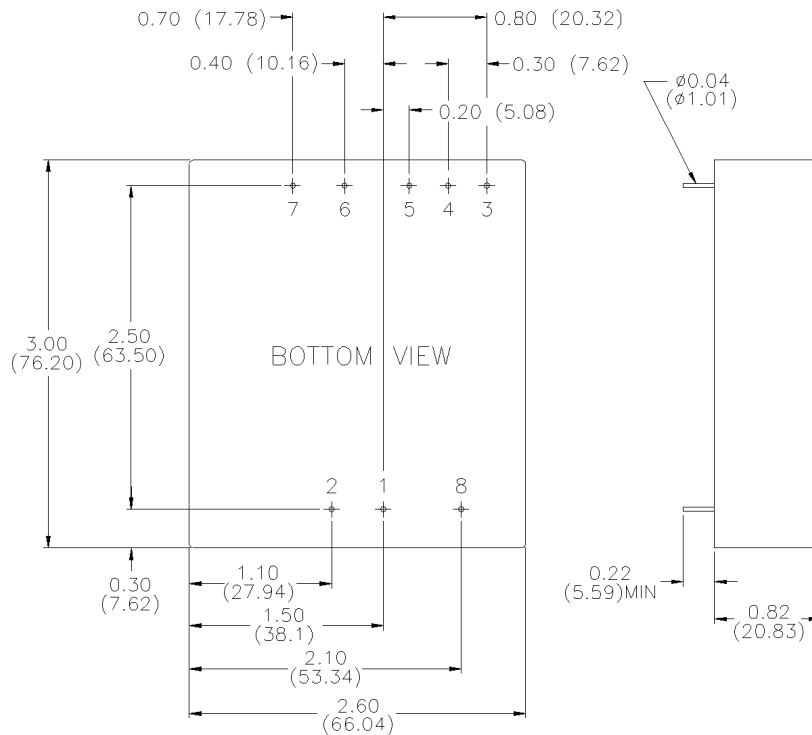
<http://www.tri-mag.com>

<http://eemonline.com/tri-mag>

tri-mag@worldnet.att.net

980ZX SERIES TRIPLE OUTPUT SPECIFICATIONS

Model-Type	Input Voltage (Vdc)	Input Current mA (typ)		Output Voltage (Vdc)	Output Current mA (max)
		No Load	Full Load		
980ZX24T01	9-36 (24)	90	3265	+5 +12 -12	3000 600 600
980ZX24T02		90	3335	+5 +15 -15	3000 500 500
980ZX24T03		90	3020	+5 +12 -5	3000 600 1000
980ZX48T01	20-72 (48)	50	1570	+5 +12 -12	3000 600 600
980ZX48T02		50	1600	+5 +15 -15	3000 500 500
980ZX48T03		50	1435	+5 +12 -5	3000 600 1000



All specifications and prices subject to change without notice